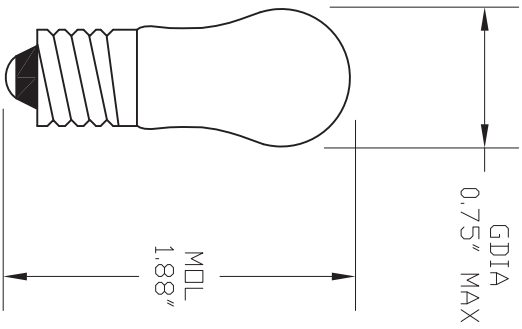


S6 E12 SERIES
 BASE: CANDELABRA SCREW (E12)
 MADE IN TAIWAN

PART NO.	DESIGN VOLTS	DESIGN AMPS	WATTS	LUMENS	AVERAGE LIFE HOURS	GLASS
10S6/230V	230	0.04	10	66	1,500	CLEAR
10S6/250V	250	0.04	10	66	1,500	CLEAR

10S6/230V	230	0.04	10	66	1,500	CLEAR
10S6/250V	250	0.04	10	66	1,500	CLEAR

REVISIONS			
REV	DESCRIPTION	DATE	APPROVED
1	ISSUED	03/10/2009	D.C.
2	ADDITIONAL PART NOS.	08/28/2013	D.C.



UNLESS OTHERWISE SPECIFIED: DIMENSIONS ARE IN INCHES				TITLE			
DECIMALS ± .05				LIGHT BULB NO. S6 E12 SERIES			
ANGULAR ± 0.5°				S6 WITH CANDELABRA SCREW BASE			
FRACTIONAL ± 1/64				SIZE FSQM NO.			
DRAWN D. C.				DATE 03/10/2009			
CHECKED				SCALE A			
DESIGN				PLOT SCALE			
MATERIAL				SHEET 1 OF 1			
FILE S6 E12 SERIES.dwg				DO NOT SCALE DRAWING			
				REV 2			