

## Datasheet

### WPDB Power Distribution Blocks



Now you can manage multiple load connections and a wide range of wire sizes with Weidmüller's Power Distribution blocks. By using the best materials and the best technology, Weidmüller provides the safest and most innovative connections available in a wide area of industrial applications, including; machinery, material handling, building/installation and power conditioning.

These DIN-rail mountable blocks combine installed cost savings over traditional methods, high short-circuit protection, and application flexibility. Weidmüller's Power Distribution Blocks deliver power and performance – without compromising safety requirements.

- Space-saving design
- For use with a wide range of wire sizes
- SCCR rated\* (UL 508-A, 200kA)
- IEC finger-safe design
- IP20 class protection
- For DIN-rail or direct mounting

\*when used with fuses



#### Weidmüller, Canada

10 Spy Court  
Markham, Ontario L3R 5H6  
Telephone: (800) 268-4080  
Facsimile: (877) 300-5635  
Email: [info1@weidmuller.ca](mailto:info1@weidmuller.ca)  
Website: [www.weidmuller.ca](http://www.weidmuller.ca)

#### Weidmüller, Mexico

Blvd. Hermanos Serdán 698,  
Col. San Rafael Oriente  
Puebla, Puebla, Mexico  
C.P. 72029  
Telephone: 01 222 2686267  
Facsimile: 01 222 2686219  
Email: [clientes@weidmuller.com.mx](mailto:clientes@weidmuller.com.mx)  
Website: [www.weidmuller.com.mx](http://www.weidmuller.com.mx)

#### Weidmüller, United States

821 Southlake Blvd.  
Richmond, Virginia 23236  
Telephone: (800) 849-9343  
Facsimile: (804) 379-2593  
Email: [info@weidmuller.com](mailto:info@weidmuller.com)  
Website: [www.weidmuller.com](http://www.weidmuller.com)

**WPDB 70 1-1**  
**WPDB 70 1-1 AL**



**WPDB 70/35 1-4**  
**WPDB 70/35 1-4 AL**



**WPDB 185 1-1**  
**WPDB 185 1-1 AL**



**Technical data**

Housing material	PA 66/6	PA 66/6	PA 66/6
Flammability class	UL 94 V0	UL 94 V0	UL 94 V0
Conductor	WPDB 70 1-1: Copper (75°C Cu wire only) WPDB 70 1-1 AL: Aluminum (90°C Cu/Al wire)	WPDB 70/35 1-4: Copper (75°C Cu wire only) WPDB 70/35 1-4 AL: Aluminum (90°C Cu/Al wire)	WPDB 185 1-1: Copper (75°C Cu wire only) WPDB 185 1-1 AL: Aluminum (90°C Cu/Al wire)
Contact material	WPDB 70 1-1: Copper WPDB 70 1-1 AL: Aluminum	WPDB 70/35 1-4: Copper WPDB 70/35 1-4 AL: Aluminum	WPDB 185 1-1: Copper WPDB 185 1-1 AL: Aluminum
Contact plating	Zinc	Zinc	Zinc
<b>Current Rating</b>			
UL/CSA	175A at 600V	175A at 600V	335A at 600V
<b>Line</b>			
Wire gauge, kcmil/AWG	2/0...#14	2/0...#14	400...#6
Wire gauge, mm <sup>2</sup>	70...2.5	70...2.5	185...16
Number of poles	1	1	1
<b>Load</b>			
Wire gauge, kcmil/AWG	2/0...#14	#2...#14	400...#6
Wire gauge, mm <sup>2</sup>	70...2.5	35...2.5	185...16
Number of poles	1	4	1
<b>Operating Specifications</b>			
Maximum temperature	100°C	100°C	100°C
Operating range	-10°C...+60°C	-10°C...+60°C	-10°C...+60°C
Storage temperature	-25°C...+60°C	-25°C...+60°C	-25°C...+60°C
<b>Notes</b>			

**Ordering data**

	Type	Part No.	Type	Part No.	Type	Part No.
	WPDB 70 1-1	1879470000	WPDB 70/35 1-4	1879360000	WPDB 185 1-1	1879410000
	WPDB 70 1-1 AL	1879460000	WPDB 70/35 1-4 AL	1879480000	WPDB 185 1-1 AL	1879400000
<b>Notes</b>						

**Accessories**

	Type	Part No.	Type	Part No.	Type	Part No.
	SK WSD-S (1.5-10mm 9 piece set, Allen head screwdrivers)	9008850000	SK WSD-S (1.5-10mm 9 piece set, Allen head screwdrivers)	9008850000	SK WSD-S (1.5-10mm 9 piece set, Allen head screwdrivers)	9008850000
	SST WPDB (Accessory pin for fixing multi-pole block assemblies)	1879490000	SST WPDB (Accessory pin for fixing multi-pole block assemblies)	1879490000	SST WPDB (Accessory pin for fixing multi-pole block assemblies)	1879490000
	WEW 35/3 (Pair of end brackets)	1879390000	WEW 35/3 (Pair of end brackets)	1879390000	WEW 35/3 (Pair of end brackets)	1879390000
	VK WPDB 1 (Cap for spare 2/0 line connections)	1879370000	VK WPDB 1 (Cap for spare 2/0 line connections)	1879370000	VK WPDB 1 (Cap for spare 2/0 line connections)	1879370000
	VK WPDB 2 (Cap for spare 350 kcmil line connections)	1879380000	VK WPDB 2 (Cap for spare 350 kcmil line connections)	1879380000	VK WPDB 2 (Cap for spare 350 kcmil line connections)	1879380000
<b>Notes</b>						

**Marking Tags**

	Type	Part No.	Type	Part No.	Type	Part No.
	KSW Strips, blank**	1629970000	KSW Strips, blank**	1629970000	KSW Strips, blank**	1629970000
	*Based on NEC table 310-16 for 75°C copper wire **Pre-printed strips standard with product. Custom strips also available.		*Based on NEC table 310-16 for 75°C copper wire **Pre-printed strips standard with product. Custom strips also available.		*Based on NEC table 310-16 for 75°C copper wire **Pre-printed strips standard with product. Custom strips also available.	
<b>Notes</b>						

**WPDB 185/35 1-8**  
**WPDB 185/35 1-8 AL**

**WPDB 300 2-2**  
**WPDB 300 2-2 AL**



**Technical data**

<b>Technical data</b>	
Housing material	PA 66/6
Flammability class	UL 94 V0
Conductor	WPDB 185/35 1-8: Copper (75°C Cu wire only) WPDB 185/35 1-8 AL: Aluminum (90°C Cu/Al wire)
Contact material	WPDB 185/35 1-8: Copper WPDB 185/35 1-8 AL: Aluminum
Contact plating	Zinc
<b>Current Rating</b>	
UL/CSA*	310 A at 600 V
<b>Line</b>	
Wire gauge, kcmil/AWG	350...#6 / 2/0...#14
Wire gauge, mm <sup>2</sup>	185...16 / 70...2.5
Number of poles	1
<b>Load</b>	
Wire gauge, kcmil/AWG	#2...#14
Wire gauge, mm <sup>2</sup>	35...2.5
Number of poles	8
<b>Operating Specifications</b>	
Maximum temperature	100°C
Operating range	-10°C...+60°C
Storage temperature	-25°C...+60°C
<b>Notes</b>	

<b>Technical data</b>	
Housing material	PA 66/6
Flammability class	UL 94 V0
Conductor	WPDB 185/35 1-8: Copper (75°C Cu wire only) WPDB 185/35 1-8 AL: Aluminum (90°C Cu/Al wire)
Contact material	WPDB 185/35 1-8: Copper WPDB 185/35 1-8 AL: Aluminum
Contact plating	Zinc
<b>Current Rating</b>	
UL/CSA*	310 A at 600 V
<b>Line</b>	
Wire gauge, kcmil/AWG	350...#6 / 2/0...#14
Wire gauge, mm <sup>2</sup>	185...16 / 70...2.5
Number of poles	1
<b>Load</b>	
Wire gauge, kcmil/AWG	#2...#14
Wire gauge, mm <sup>2</sup>	35...2.5
Number of poles	8
<b>Operating Specifications</b>	
Maximum temperature	100°C
Operating range	-10°C...+60°C
Storage temperature	-25°C...+60°C
<b>Notes</b>	

<b>Technical data</b>	
Housing material	PA 66/6
Flammability class	UL 94 V0
Conductor	WPDB 300 2-2: Copper (75°C Cu wire only) WPDB 300 2-2 AL: Aluminum (90°C Cu/Al wire)
Contact material	WPDB 300 2-2: Copper WPDB 300 2-2 AL: Aluminum
Contact plating	Zinc
<b>Current Rating</b>	
UL/CSA*	840 A at 600 V
<b>Line</b>	
Wire gauge, kcmil/AWG	600...#4
Wire gauge, mm <sup>2</sup>	300...25
Number of poles	2
<b>Load</b>	
Wire gauge, kcmil/AWG	600...#4
Wire gauge, mm <sup>2</sup>	300...25
Number of poles	2
<b>Operating Specifications</b>	
Maximum temperature	100°C
Operating range	-10°C...+60°C
Storage temperature	-25°C...+60°C
<b>Notes</b>	

**Ordering data**

<b>Ordering data</b>	
Type	Part No.
WPDB 185/35 1-8	1879430000
WPDB 185/35 1-8 AL	1879420000
<b>Notes</b>	

<b>Ordering data</b>	
Type	Part No.
WPDB 185/35 1-8	1879430000
WPDB 185/35 1-8 AL	1879420000
<b>Notes</b>	

<b>Ordering data</b>	
Type	Part No.
WPDB 300 2-2	1879450000
WPDB 300 2-2 AL	1879440000
<b>Notes</b>	

**Accessories**

<b>Accessories</b>	
Type	Part No.
SK WSD-S (1.5-10 mm 9 piece set, Allen head screwdrivers)	9008850000
SST WPDB (Accessory pin for fixing multi-pole block assemblies)	1879490000
WEW 35/3 (Pair of end brackets)	1879390000
VK WPDB 1 (Cap for spare 2/0 line connections)	1879370000
VK WPDB 2 (Cap for spare 350 kcmil line connections)	1879380000
<b>Notes</b>	

<b>Accessories</b>	
Type	Part No.
SK WSD-S (1.5-10 mm 9 piece set, Allen head screwdrivers)	9008850000
SST WPDB (Accessory pin for fixing multi-pole block assemblies)	1879490000
WEW 35/3 (Pair of end brackets)	1879390000
VK WPDB 1 (Cap for spare 2/0 line connections)	1879370000
VK WPDB 2 (Cap for spare 350 kcmil line connections)	1879380000
<b>Notes</b>	

<b>Accessories</b>	
Type	Part No.
SK WSD-S (1.5-10 mm 9 piece set, Allen head screwdrivers)	9008850000
SST WPDB (Accessory pin for fixing multi-pole block assemblies)	1879490000
WEW 35/3 (Pair of end brackets)	1879390000
VK WPDB 2 (Cap for spare 350 kcmil line connections)	1879380000
VK WPDB 3 (Cap for spare 600 kcmil line connections)	1880060000
<b>Notes</b>	

**Marking Tags**

<b>Marking Tags</b>	
Type	Part No.
KSW Strips, blank**	1629970000
*Based on NEC table 310-16 for 75°C copper wire	
**Pre-printed strips standard with product. Custom strips also available.	

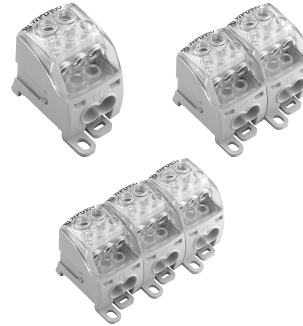
<b>Marking Tags</b>	
Type	Part No.
KSW Strips, blank**	1629970000
*Based on NEC table 310-16 for 75°C copper wire	
**Pre-printed strips standard with product. Custom strips also available.	

<b>Marking Tags</b>	
Type	Part No.
KSW Strips, blank**	1629970000
*Based on NEC table 310-16 for 75°C copper wire	
**Pre-printed strips standard with product. Custom strips also available.	

**WPD 104**



**WPD 105**



**WPD 106**



**Technical data**

<b>Technical data</b>	
Width x Height x Depth (mm/in.)*	41.6 x 50.4 x 74.5 / 1.64" x 2" x 2.94"
Housing Material (Body/Cover)	Polyamid PA 6/Polycarbonate
Flammability Class	UL 94-V0
Conductor	Copper (72°C CU wire only)
Contact Material	Brass, (screws - Steel)
Contact Plating	Zinc - passivation
<b>Electrical Ratings</b>	
UL	85A at 600V
CSA	85A at 600V
VDE	101A/690VAC/1,000VDC
UL 508A-SCCR Rating	100kA (G fuse) 200kA (J, T, RK22 RK 5 & CC fuse type)
<b>Line (Input)</b>	
Wire Gauge, AWG (Clamp)	14 - 4 AWG (Left), 16 - 6 AWG (Right)
Wire Gauge, mm <sup>2</sup> (Clamp)	2.5 - 25mm <sup>2</sup> (Left), 1.5 - 16mm <sup>2</sup> (Right)
Number of Poles (Location)	2
Tightening Torque (Clamp Area)	2.5Nm
Insulation Strip Length (mm/in.)	19mm/.75"
<b>Load (Output)</b>	
Wire Gauge, AWG (Clamp)	16 - 8 AWG (Top), 16 - 6 AWG (Bottom)
Wire Gauge, mm <sup>2</sup> (Clamp)	1.5 - 10mm <sup>2</sup> (Top), 1.5 - 16mm <sup>2</sup> (Bottom)
Number of Poles (Location)	5 (3-Top, 2-Bottom)
Tightening Torque (Clamp Area)	2Nm (Top), 2.5Nm (Bottom)
Insulation Strip Length (mm/in.)	12mm/.47" (Top), 14mm/.55" (Bottom)
<b>Operation Specifications</b>	
Maximum Temperature	130 C
Operating Range	-10°C...+60°C
Storage Temperature	-25°C...+60°C
Notes	

\* Single pole dimensions

<b>Technical data</b>	
Width x Height x Depth (mm/in.)*	37.1 x 53.7 x 70 / 1.46" x 2.12" x 2.76"
Housing Material (Body/Cover)	Polyamid PA 6/Polycarbonate
Flammability Class	UL 94-V0
Conductor	Copper (72°C CU wire only)
Contact Material	Brass, (screws - Steel)
Contact Plating	Zinc - passivation
<b>Electrical Ratings</b>	
UL	115A at 600V
CSA	115A at 600V
VDE	125A/690VAC/1,000VDC
UL 508A-SCCR Rating	100kA (G fuse) 200kA (J, T, RK22 RK 5 & CC fuse type)
<b>Line (Input)</b>	
Wire Gauge, AWG (Clamp)	12 - 2 AWG (Left), 16 - 6 AWG (Right)
Wire Gauge, mm <sup>2</sup> (Clamp)	4 - 35mm <sup>2</sup> (Left), 1.5 - 16mm <sup>2</sup> (Right)
Number of Poles (Location)	2
Tightening Torque (Clamp Area)	3.5Nm (Left), 2.5Nm (Right)
Insulation Strip Length (mm/in.)	19mm/.75"
<b>Load (Output)</b>	
Wire Gauge, AWG (Clamp)	16 - 6 AWG (Top), 14 - 4 AWG (Bottom)
Wire Gauge, mm <sup>2</sup> (Clamp)	1.5 - 16mm <sup>2</sup> (Top), 2.5 - 25mm <sup>2</sup> (Bottom)
Number of Poles (Location)	5 (3-Top, 2-Bottom)
Tightening Torque (Clamp Area)	2.5Nm
Insulation Strip Length (mm/in.)	12mm/.47" (Top), 14mm/.55" (Bottom)
<b>Operation Specifications</b>	
Maximum Temperature	130 C
Operating Range	-10°C...+60°C
Storage Temperature	-25°C...+60°C
Notes	

<b>Technical data</b>	
Width x Height x Depth (mm/in.)*	41.6 x 50.4 x 74.5 / 1.64" x 2" x 2.94"
Housing Material (Body/Cover)	Polyamid PA 6/Polycarbonate
Flammability Class	UL 94-V0
Conductor	Copper (72°C CU wire only)
Contact Material	Brass, (screws - Steel)
Contact Plating	Zinc - passivation
<b>Electrical Ratings</b>	
UL	150A at 600V
CSA	150A at 600V
VDE	160A/690VAC/1,000VDC
UL 508A-SCCR Rating	100kA (G fuse) 200kA (J, T, RK22 RK 5 & CC fuse type)
<b>Line (Input)</b>	
Wire Gauge, AWG (Clamp)	8 - 2/0 AWG
Wire Gauge, mm <sup>2</sup> (Clamp)	10 - 70mm <sup>2</sup> (Top)
Number of Poles (Location)	2 (1 Bottom for flat conductor**)
Tightening Torque (Clamp Area)	10Nm (Mid.)/ 2Nm (Bottom flat)
Insulation Strip Length (mm/in.)	17mm/.65"
<b>Load (Output)</b>	
Wire Gauge, AWG (Clamp)	16 - 6 AWG (Top), 14 - 4 AWG (Bottom)
Wire Gauge, mm <sup>2</sup> (Clamp)	1.5 - 16mm <sup>2</sup> (Top), 2.5 - 25mm <sup>2</sup> (Bottom)
Number of Poles (Location)	5 (3-Top, 2-Bottom)
Tightening Torque (Clamp Area)	2Nm
Insulation Strip Length (mm/in.)	12mm/.47" (Top), 12mm/.47" (Bottom)
<b>Operation Specifications</b>	
Maximum Temperature	130 C
Operating Range	-10°C...+60°C
Storage Temperature	-25°C...+60°C
Notes	

<b>Technical data</b>	
Width x Height x Depth (mm/in.)*	41.6 x 50.4 x 74.5 / 1.64" x 2" x 2.94"
Housing Material (Body/Cover)	Polyamid PA 6/Polycarbonate
Flammability Class	UL 94-V0
Conductor	Copper (72°C CU wire only)
Contact Material	Brass, (screws - Steel)
Contact Plating	Zinc - passivation
<b>Electrical Ratings</b>	
UL	150A at 600V
CSA	150A at 600V
VDE	160A/690VAC/1,000VDC
UL 508A-SCCR Rating	100kA (G fuse) 200kA (J, T, RK22 RK 5 & CC fuse type)
<b>Line (Input)</b>	
Wire Gauge, AWG (Clamp)	8 - 2/0 AWG
Wire Gauge, mm <sup>2</sup> (Clamp)	10 - 70mm <sup>2</sup> (Top)
Number of Poles (Location)	2 (1 Bottom for flat conductor**)
Tightening Torque (Clamp Area)	10Nm (Mid.)/ 2Nm (Bottom flat)
Insulation Strip Length (mm/in.)	17mm/.65"
<b>Load (Output)</b>	
Wire Gauge, AWG (Clamp)	16 - 6 AWG (Top), 14 - 4 AWG (Bottom)
Wire Gauge, mm <sup>2</sup> (Clamp)	1.5 - 16mm <sup>2</sup> (Top), 2.5 - 25mm <sup>2</sup> (Bottom)
Number of Poles (Location)	5 (3-Top, 2-Bottom)
Tightening Torque (Clamp Area)	2Nm
Insulation Strip Length (mm/in.)	12mm/.47" (Top), 12mm/.47" (Bottom)
<b>Operation Specifications</b>	
Maximum Temperature	130 C
Operating Range	-10°C...+60°C
Storage Temperature	-25°C...+60°C
Notes	

\*\*Flat cable spec. - 15.5mm x 5mm

**Ordering data**

<b>Number of Poles</b>	
1 Pole	WPD 104
2 Pole	WPD 204
3 Pole	WPD 304
<b>Notes</b>	

<b>Type</b>	<b>Part No.</b>
WPD 104	1562000000
WPD 204	1562150000
WPD 304	1562160000
<b>Notes</b>	

<b>Type</b>	<b>Part No.</b>
WPD 105	1562170000
WPD 205	1562180000
WPD 305	1562190000
<b>Notes</b>	

<b>Type</b>	<b>Part No.</b>
WPD 106	1562210000
-	-
-	-
<b>Notes</b>	

**Accessories**

<b>Accessories</b>	
2 Pole Jumpers	WQB - WPD 4/2
3 Pole Jumpers	WQB - WPD 4/3
<b>Notes</b>	

<b>Type</b>	<b>Part No.</b>
WQB - WPD 4/2	1561980000
WQB - WPD 4/3	1561990000
<b>Notes</b>	

<b>Type</b>	<b>Part No.</b>
WQB - WPD 5/2	1561960000
WQB - WPD 5/3	1561970000
<b>Notes</b>	

<b>Type</b>	<b>Part No.</b>
<b>Notes</b>	

**Marking Tags**

<b>Marking Tags</b>	
ESG 9/17 K MC, White, Blank	ESG 9/17 K MC, Blank
ESG 9/17 K MC, Spl. Prt. White	ESG 9/17 K MC, Spl. Prt.
<b>Notes</b>	

<b>Type</b>	<b>Part No.</b>
ESG 9/17 K MC, Blank	1674760000
ESG 9/17 K MC, Spl. Prt.	1674770000
<b>Notes</b>	

<b>Type</b>	<b>Part No.</b>
ESG 9/17 K MC, Blank	1674760000
ESG 9/17 K MC, Spl. Prt.	1674770000
<b>Notes</b>	

<b>Type</b>	<b>Part No.</b>
ESG 9/17 K MC, Blank	1674760000
ESG 9/17 K MC, Spl. Prt.	1674770000
<b>Notes</b>	

**WPD 107**



**WPD 108**



**WPD 109**



**Technical data**

Width x Height x Depth (mm/in.)*	41.6 x 50.4 x 74.5 / 1.64" x 2" x 2.94"	41.6 x 50.4 x 74.5 / 2.07" x 2.64" x 3.7"	41.6 x 50.4 x 74.5 / 1.64" x 2" x 2.94"
Housing Material (Body/Cover)	Polyamid PA 6/Polycarbonate	Polyamid PA 6/Polycarbonate	Polyamid PA 6/Polycarbonate
Flammability Class	UL 94-V0	UL 94-V0	UL 94-V0
Conductor	Copper (72°C CU wire only)	Copper (72°C CU wire only)	Copper (72°C CU wire only)
Contact Material	Brass, (screws - Steel)	Brass, (screws - Steel)	Brass, (screws - Steel)
Contact Plating	Zinc - passivation	Zinc - passivation	Zinc - passivation
<b>Electrical Ratings</b>			
UL	200A at 600V	250A at 600V	85A at 600V
CSA	200A at 600V	85A at 600V	85A at 600V
VDE	232A/690VAC/1,000VDC		
UL 508A-SCCR Rating	100kA (G fuse) 200kA (J, T, RK22 RK 5 & CC fuse type)	100kA (G fuse) 200kA (J, T, RK22 RK 5 & CC fuse type)	100kA (G fuse) 200kA (J, T, RK22 RK 5 & CC fuse type)
<b>Line (Input)</b>			
Wire Gauge, AWG (Clamp)	12 - 2 AWG (Left & Right), 6 - 3/0AWG (Mid)	2 - 250 MCM	3/0- 350 MCM
Wire Gauge, mm <sup>2</sup> (Clamp)	3 (4 - 35mm <sup>2</sup> Left/Right), 16 - 95mm <sup>2</sup> (Mid)	35 - 120mm <sup>2</sup> (Top)	95 - 185mm <sup>2</sup> (Top)
Number of Poles (Location)	3	2 (1-Bottom for flat conductor***)	2 (1-Bottom for flat conductor***)
Tightening Torque (Clamp Area)	3.5Nm (Left & Right), 14Nm (Mid)	19Nm (Mid), 3Nm (Bottom flat)	19Nm (Mid), 3Nm (Bottom flat)
Insulation Strip Length (mm/in.)	12mm/.47" (Left & Right), 14mm/.55" (Mid)	27mm/1.06" (Mid), 22mm/.87" (Bottom)	27mm/1.06" (Mid), 22mm/.87" (Bottom)
<b>Load (Output)</b>			
Wire Gauge, AWG (Clamp)	14 - 4 AWG (Top & Bottom)	14 - 4 AWG (Top & Bottom) 16 - 6 AWG (Mid)	14 - 4 AWG (Top & Bottom) 16 - 6 AWG (Mid)
Wire Gauge, mm <sup>2</sup> (Clamp)	2.5 - 25mm <sup>2</sup>	2.5 - 25mm <sup>2</sup>	2.5 - 25mm <sup>2</sup>
Number of Poles (Location)	8 (4-Top, 4-Bottom)	9 (3-Top, 4-Mid, 2-Bottom)	9 (3-Top, 4-Mid, 2-Bottom)
Tightening Torque (Clamp Area)	2.5Nm	2Nm (Top/Mid), 2.5Nm (Bottom)	2 Nm (Top/Mid), 2.5Nm (Bottom)
Insulation Strip Length (mm/in.)	12mm/.47"	18mm/.71"	12mm/.47"
<b>Operation Specifications</b>			
Maximum Temperature	130 C	130 C	130 C
Operating Range	-10°C...+60°C	-10°C...+60°C	-10°C...+60°C
Storage Temperature	-25°C...+60°C	-25°C...+60°C	-25°C...+60°C
*Single pole dimensions		***Flat cable spec. - 24mm x 10mm	***Flat cable spec. - 24mm x 10mm

**Ordering data**

<b>Number of Poles</b>	<b>Type</b>	<b>Part No.</b>	<b>Type</b>	<b>Part No.</b>	<b>Type</b>	<b>Part No.</b>
1 Pole	WPD 107	1562220000	WPD 108	1562100000	WPD 109	1562090000
2 Pole	-		-		-	
3 Pole	-		-		-	
<b>Notes</b>						

**Marking Tags**

<b>Type</b>	<b>Part No.</b>	<b>Type</b>	<b>Part No.</b>	<b>Type</b>	<b>Part No.</b>
ESG 9/17 K MC, White, Blank	ESG 9/17 K MC, Blank 1674760000	ESG 9/17 K MC, Blank	1674760000	ESG 9/17 K MC, Blank	1674760000
ESG 9/17 K MC, Spl. Prt. White	ESG 9/17 K MC, Spl. Prt. 1674770000	ESG 9/17 K MC, Spl. Prt.	1674770000	ESG 9/17 K MC, Spl. Prt.	1674770000
<b>Notes</b>					

## Tightening Torque Table

With recommended strip back lengths to maintain IP20 rating

Part No.	Product Description	Wire Hole Range	Wire Strip Back Length	Hex Driver Size	Wire Size*	Torque**
1879460000 1879470000	WPDB 70 1-1 AL WPDB 70 1-1	2/0...#14 AWG (70...2.5 mm <sup>2</sup> )	0.75 in (19.1 mm)	5 mm	2/0...#1 AWG (70...50 mm <sup>2</sup> )	100 lbs-in (11.4 N-m)
					#2...#6 AWG (35...16 mm <sup>2</sup> )	80 lbs-in (9 N-m)
					#8...#14 AWG (10...2.5 mm <sup>2</sup> )	35 lbs-in (3.9 N-m)
1879480000 1879360000	WPDB 70/35 1-4 AL WPDB 70/35 1-4	2/0...#14 AWG (70...2.5 mm <sup>2</sup> )	1 in (25.4 mm)	5 mm	2/0...#1 AWG (70...50 mm <sup>2</sup> )	100 lbs-in (11.4 N-m)
					#2...#6 AWG (35...16 mm <sup>2</sup> )	80 lbs-in (9 N-m)
		#2...#14 AWG (35...2.5 mm <sup>2</sup> )	0.625 in (15.9 mm)	4 mm	#2...#6 AWG (35...16 mm <sup>2</sup> )	80 lbs-in (9 N-m)
					#8...#14 AWG (10...2.5 mm <sup>2</sup> )	35 lbs-in (3.9 N-m)
1879420000 1879430000	WPDB 185/35 1-8 AL WPDB 185/35 1-8	350...#6 AWG (35...2.5 mm <sup>2</sup> )	1.125 in (28.5 mm)	8 mm	350 kcmil...3/0 AWG (185...95 mm <sup>2</sup> )	200 lbs-in (22.6 N-m)
					2/0...#1 AWG (70...50 mm <sup>2</sup> )	100 lbs-in (11.4 N-m)
					#2...#6 AWG (35...16 mm <sup>2</sup> )	80 lbs-in (9 N-m)
		2/0...#14 AWG (70...2.5 mm <sup>2</sup> )	0.875 in (22.2 mm)	5 mm	2/0...#1 AWG (70...50 mm <sup>2</sup> )	100 lbs-in (11.4 N-m)
					#2...#6 AWG (35...16 mm <sup>2</sup> )	80 lbs-in (9 N-m)
		#2...#14 AWG (35...2.5 mm <sup>2</sup> )	0.875 in (22.2 mm)	4 mm	#8...#14 AWG (10...2.5 mm <sup>2</sup> )	35 lbs-in (3.9 N-m)
#2...#6 AWG*** (35...16 mm <sup>2</sup> )	80 lbs-in*** (9 N-m)					
1879400000 1879410000	WPDB 185 1-1 AL WPDB 185 1-1	400...#6 AWG (185...16 mm <sup>2</sup> )	1.3 in (33 mm)	10 mm	400 kcmil...00 AWG (185...70 mm <sup>2</sup> )	220 lbs-in (24.9 N-m)
					0...#2 AWG (50...35 mm <sup>2</sup> )	170 lbs-in (19.2 N-m)
					#3...#6 AWG (25...16 mm <sup>2</sup> )	130 lbs-in (14.7 N-m)
1879440000 1879450000	WPDB 300 2-2 AL WPDB 300 2-2	600...#4 AWG (300...25 mm <sup>2</sup> )	1.3 in (33 mm)	10 mm	600...500 kcmil AWG (300...240 mm <sup>2</sup> )	310 lbs-in (35.1 N-m)
					400 kcmil...00 AWG (185...70 mm <sup>2</sup> )	220 lbs-in (24.9 N-m)
					0...#2 AWG (50...35 mm <sup>2</sup> )	170 lbs-in (19.2 N-m)
					#3...#4 AWG (25 mm <sup>2</sup> )	130 lbs-in (14.7 N-m)

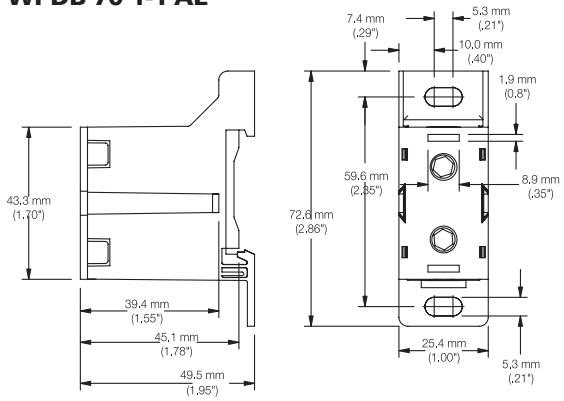
\*Wire sizes based on AWG/kcmil standards with closest commercially available mm size.

\*\*Torque values -0, +10%.

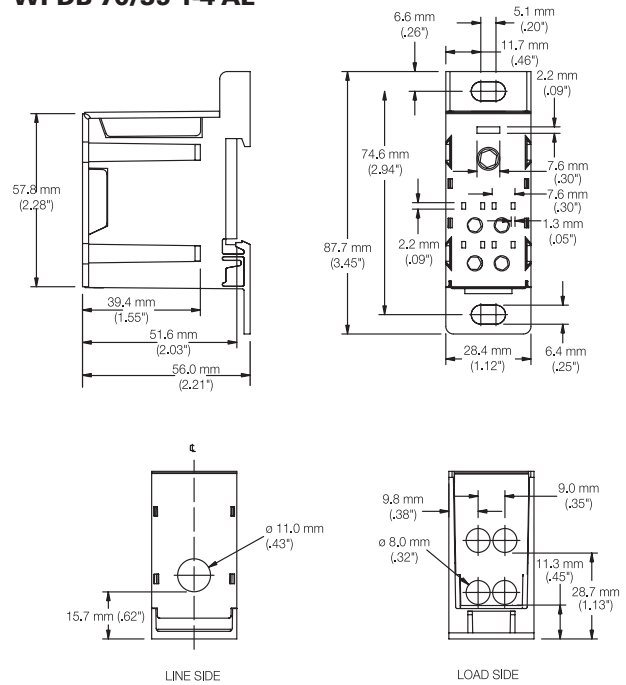
\*\*\*Applies only to part number 1879420000 WPDB 185/35 1-8 AL.

WPDB Housing Dimensions

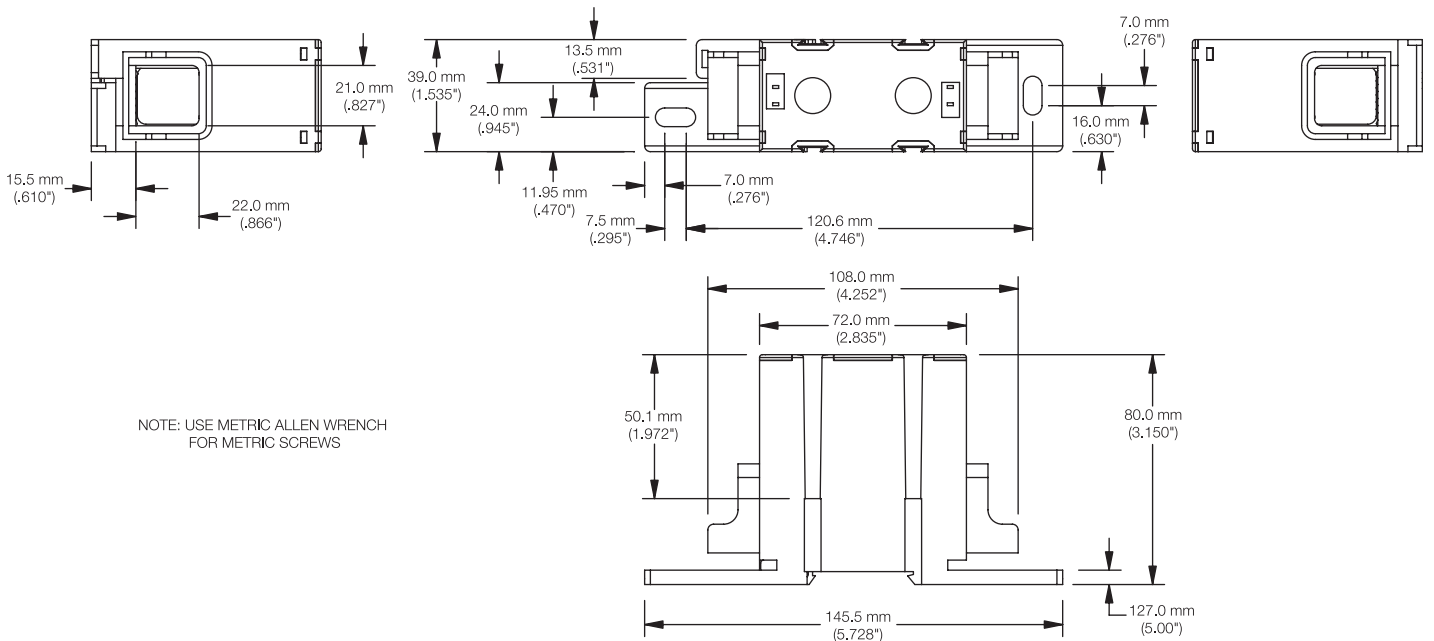
WPDB 70 1-1  
WPDB 70 1-1 AL



WPDB 70/35 1-4  
WPDB 70/35 1-4 AL

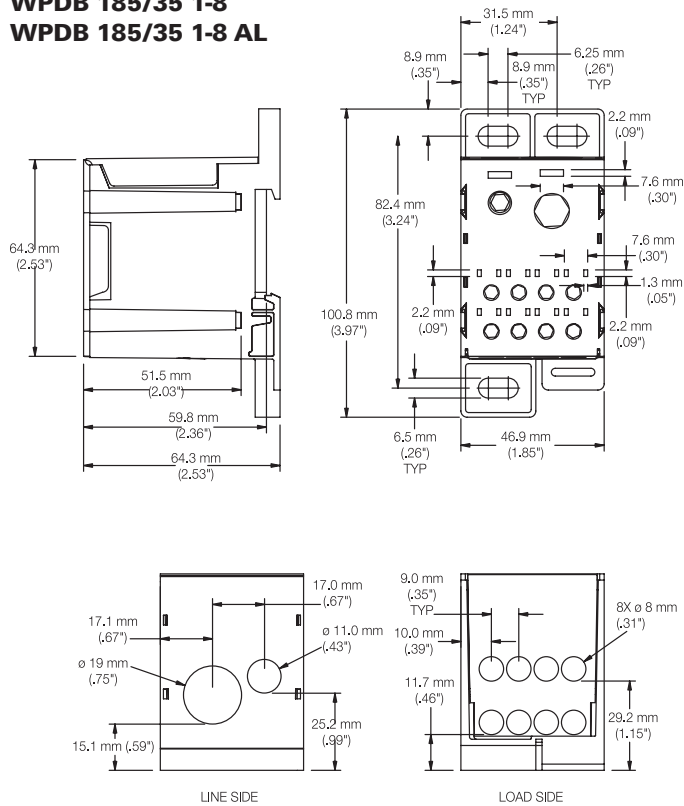


WPDB 185 1-1  
WPDB 185 1-1 AL

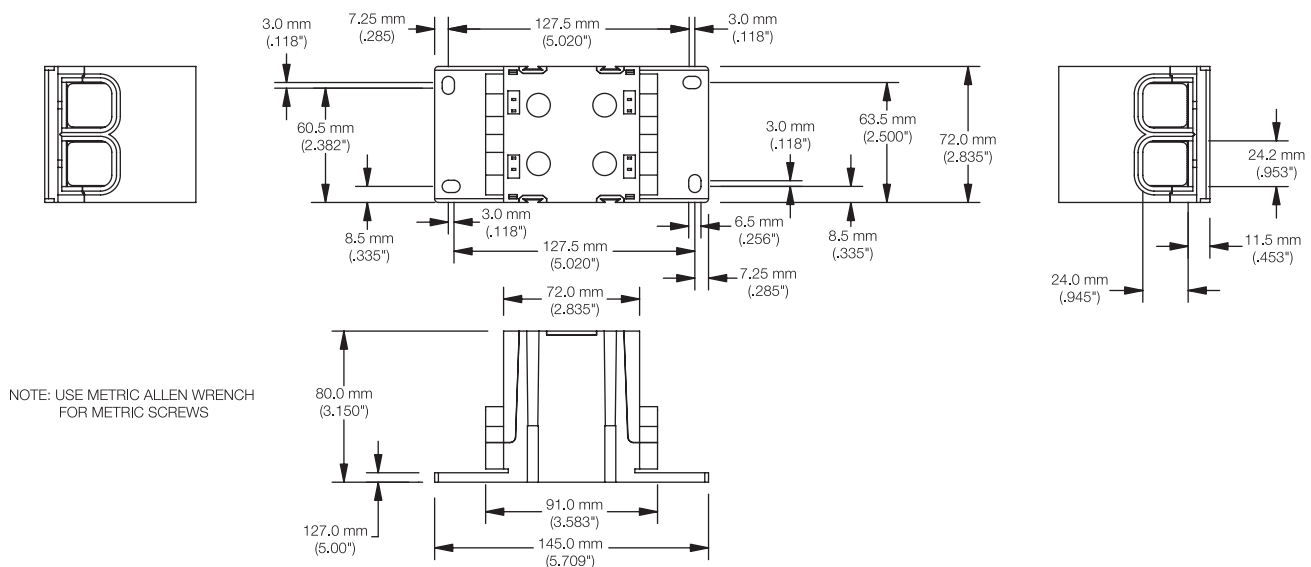


## WPDB Housing Dimensions

### WPDB 185/35 1-8 WPDB 185/35 1-8 AL



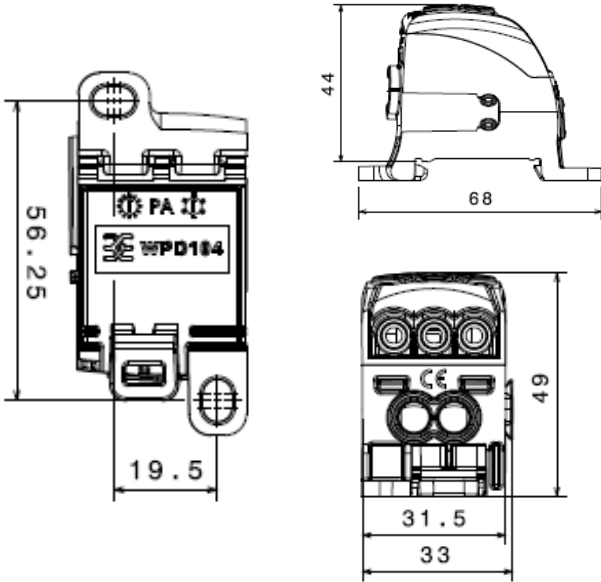
### WPDB 300 2-2 WPDB 300 2-2 AL



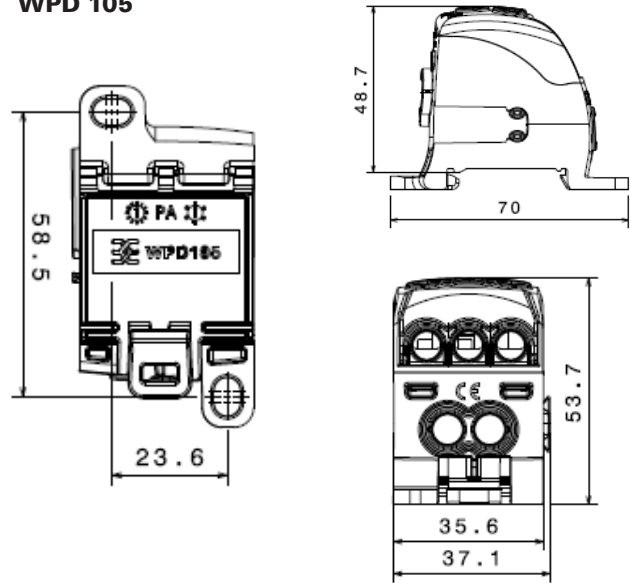


WPD Housing Dimensions

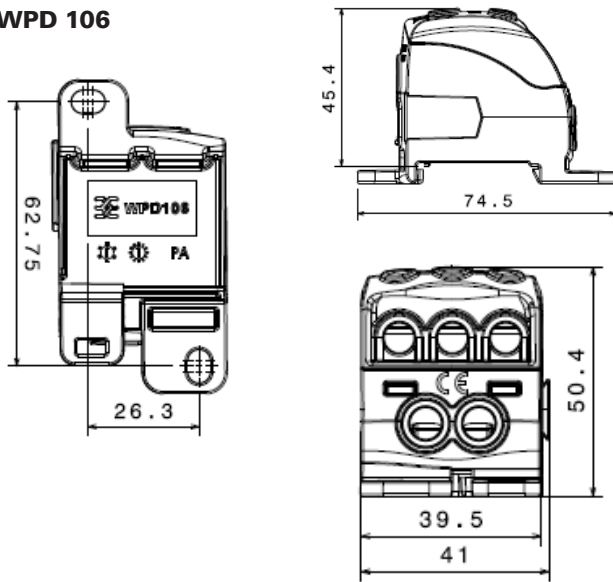
WPD 104



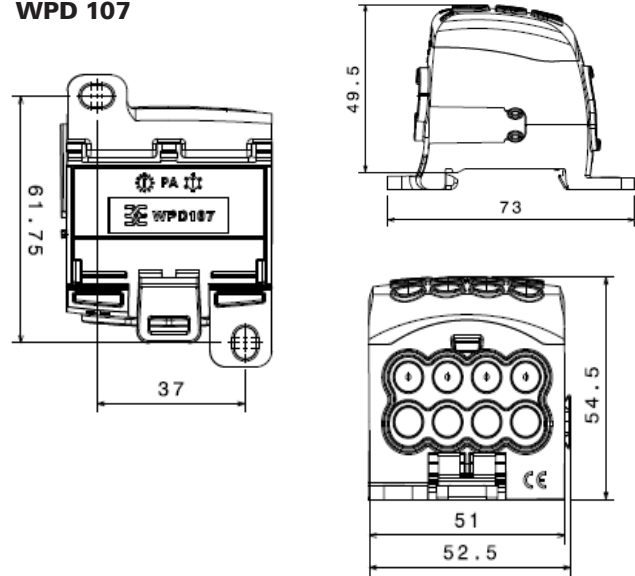
WPD 105



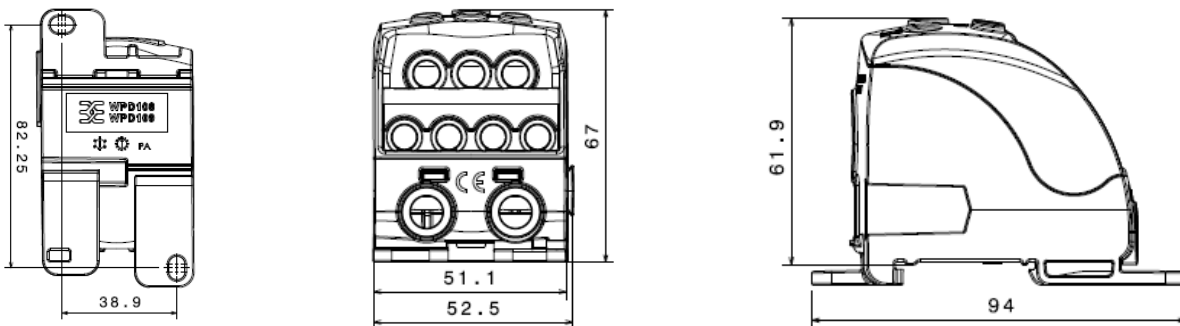
WPD 106



WPD 107

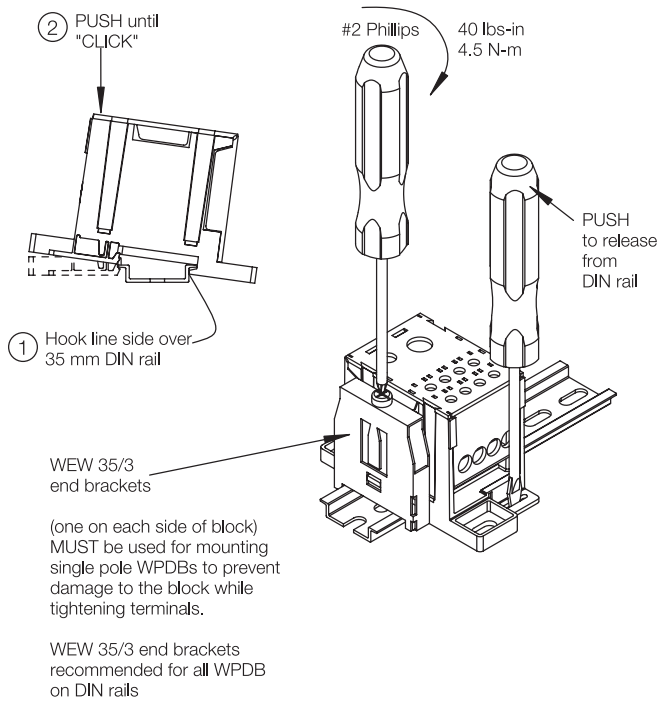


WPD 108 /109

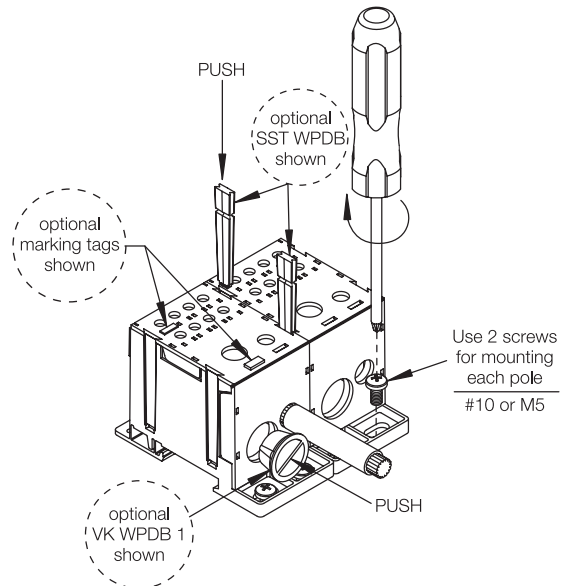


## Mounting Instructions (WPDB)

### DIN-rail Mounting



### Panel Mounting



### Wire Termination

