

4F、FV Series Foot Valve



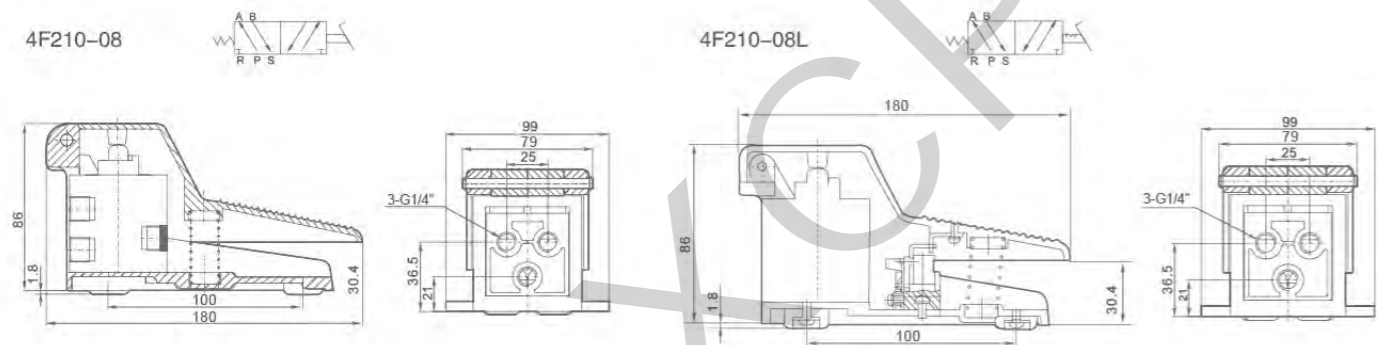
Ordering Code



Specification

Model	4F210-06	4F210-08L	4F210-08G	4F210-08LG	FV420	FV320
Working Medium	40 Micron Filtered Air					
Position and Way Number	Two-position Five-way			Two-position Four-way		Two-position Three-way
Motion Patten	Direct Drive Type					
Port Size	Air Inlet=Air Outlet=Exhaust=G1/4"			Air Inlet=Air Outlet=G1/4" Exhaust=G1/8"		
Working-pressure Range	0.15~0.9MPa					
Operating Temperature Range	0~60°C					

Overall Dimensions



4F、FV Series Foot Valve

Overall Dimensions

