

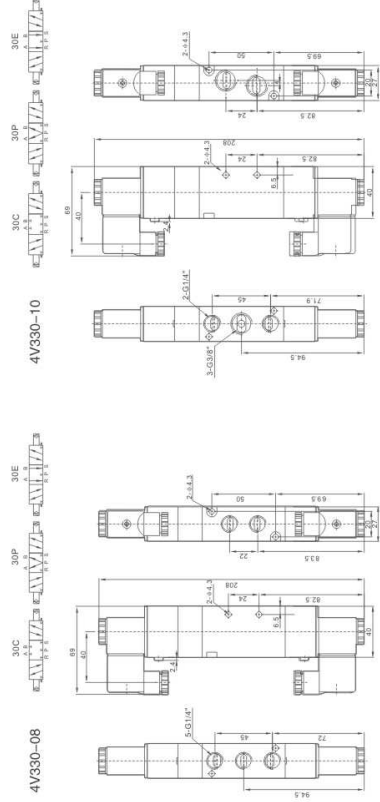
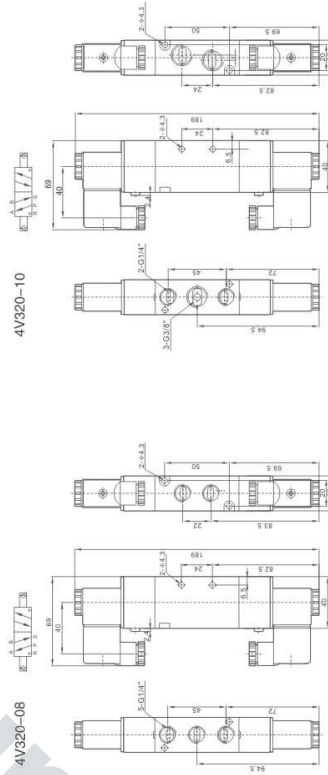
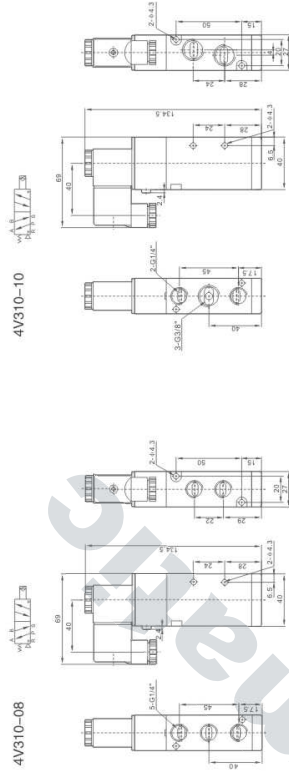
4V, 3V300 Series Solenoid Valve, 4A, 3A 300 Series Pneumatic Control Valve



Ordering Code	4	3	10	10	AC220V	Wiring Form
4A310-10	4V320-10	3A310-10	3V310-10			Blank-Standard Connector
Specification Code	Series Code	Coil and Places	Port Size	Port connection and Initial State	Standard Voltage	Wiring Form
4V:Two(Three)-position Five-way Solenoid Valve 4A:Two(Three)-position Five-way Solenoid Valve 3V:Two-position Three-way Solenoid Valve 3A:Two-position Three-way Pneumatic Control Valve	300 Series 10:Single-head Double-position 20:Double-head Double-position 30C:Double-head Three-position Close Type 30E:Double-head Three-position Exhaust Type 30P:Double-head Three-position Pressure Type	08:G1/4" 10:G3/8"	NC:Two-position Three-way NO:Two-position Three-way Normal Open Type	DC12V DC24V AC24V AC110V, 50Hz/60Hz AC220V, 50Hz/60Hz AC380V, 50Hz/60Hz	Blank-Standard Connector LD:Brown With Lighting Connector LD1:White With Lighting Connector W:Lead Wire Type	

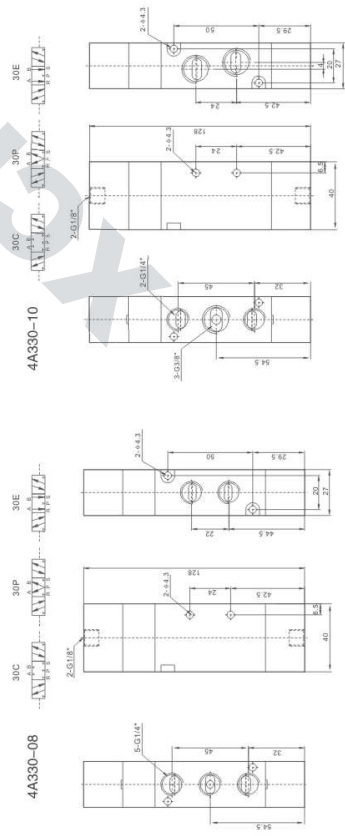
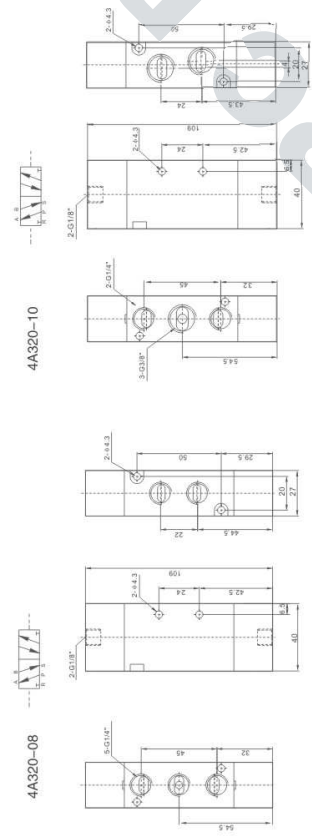
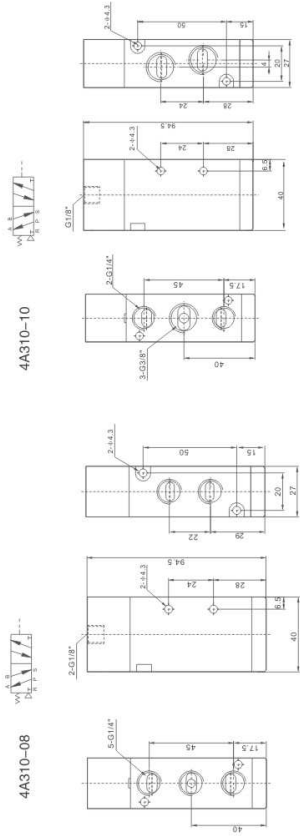
Model	4V310-08	4V320-08	4V330C-08	4V330E-08	4V330P-08	4V310-10	4V320-10	4V330C-10	4V330E-10	4V330P-10
Position and Way NO.	Two-position Five-way	Three-position Five-way	Three-position Five-way	Three-position Five-way	Three-position Five-way	Two-position Five-way	Two-position Five-way	Three-position Five-way	Three-position Five-way	Three-position Five-way
Effective Sectional Area	25mm ² (CV=1.40)	18mm ² (CV=1.00)	30mm ² (CV=1.68)	18mm ² (CV=1.00)	30mm ² (CV=1.68)	30mm ² (CV=1.68)	18mm ² (CV=1.00)	30mm ² (CV=1.68)	30mm ² (CV=1.68)	30mm ² (CV=1.68)
Position and Way NO.	3V310-08	3V320-08	3A310-08	3A320-08	3V310-10	3V320-10	3A310-10	3A320-10	3V310-10	3A320-10
Effective Sectional Area	25mm ² (CV=1.40)	25mm ² (CV=1.40)	30mm ² (CV=1.68)	30mm ² (CV=1.68)	30mm ² (CV=1.68)	30mm ² (CV=1.68)	30mm ² (CV=1.68)	30mm ² (CV=1.68)	30mm ² (CV=1.68)	30mm ² (CV=1.68)
Joint Pipe Bore	Air Inlet=Air Outlet=Exhaust=G1/4"									
Working Medium	40 Micron Filtered Air									
Motion Pattern	Inner Guide Type									
Working pressure	0.15~0.8 M Pa									
Max. Pressure Resistance	1.2MPa									
Operating Temperature	5~50°C									
Voltage Range	±10%									
Power Consumption	AC: 4.5VA DC:3W									
Insulation & Protection Class	F Class: IP65									
Wiring Form	Lead Wire or Connector Type									
Highest Action Frequency	5 Cycle / Sec									
Shortest Excitation Time	0.05 Second									

Overall Dimensions



4V, 3V300 Series Solenoid Valve, 4A, 3A 300 Series Pneumatic Control Valve

Overall Dimensions



4V, 3V300 Series Solenoid Valve, 4A, 3A300 Series Pneumatic Control Valve

Overall Dimensions

