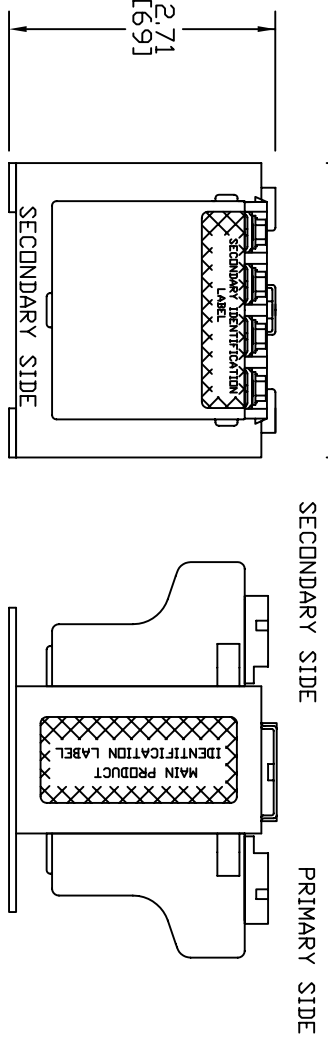
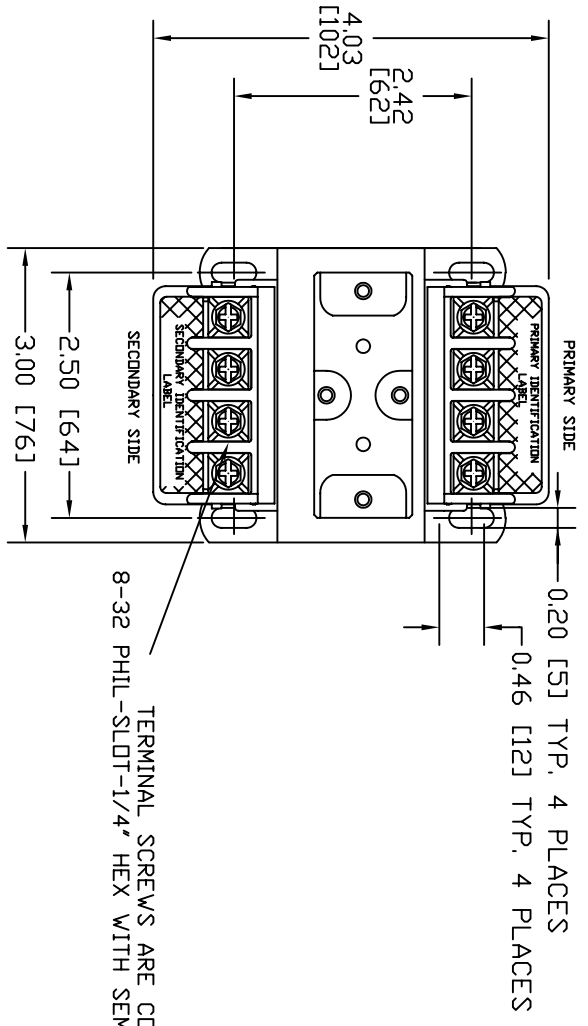
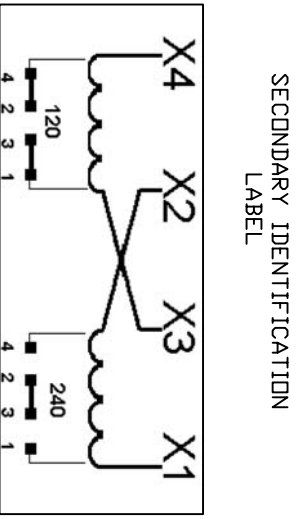
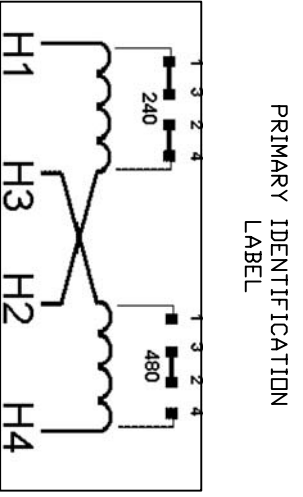
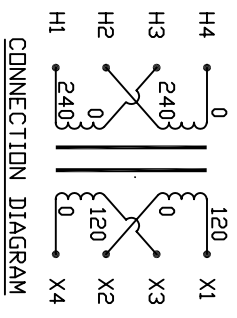


Transformer Specifications	
PRIMARY VOLTAGE(S)	240x480
SECONDARY VOLTAGE(S)	120x240
RATED V.A.	75
RATED FREQUENCY	50/60
INSULATION CLASS	105
AGENCY APPROVALS	UL/CUL
ESTIMATED WEIGHT	3.4 LBS



NOTE:
 1. TORQUE CONNECTIONS TO 16 LB-IN
 2. ALL MEASUREMENTS IN INCHES (MM)



MAIN PRODUCT IDENTIFICATION LABEL

MICRON IMPERVITRAN
 U.S. PAT. NO. 3516040
 75VA 50/60HZ
 TEMP CL. 105°C

CAT. NO. B075PU1519JJ
 SERIES 2

44071

UL Listed 702X

DATE	BY	REVISION	DESCRIPTION
11/5/07	JG.V	0000	APPROVED

TEST	SCALE	INDIC
C	INDIC	B075PU1519JJ