



Three-phase commoning link, for 5 PKZ0, +auxiliary contact



Powering Business Worldwide™

Part no. B3.1/5-PKZ0
 Catalog No. 044948
 Eaton Catalog No. XTPAXCLKB5
 EL-Nummer 4357232
 (Norway)

Delivery program

| | | | |
|---|--|--------|--|
| | | | |
| Product range | | | Accessories |
| Accessories | | | Three-phase commoning link |
| | | | Protected against accidental contact, short-circuit proof, $U_e = 690\text{ V}$, $I_u = 63\text{ A}$ Can be extended by rotating by installation Attached on the right, for motor-protective circuit-breakers, with an auxiliary contact or trip-indicating auxiliary contact |
| For use with | | | Three-phase commoning link PKZ0, PKE |
| Circuit-breaker | | Number | 5 |
| Length | | mm | 261 |
| Unit width | | mm | 45 + 9 |
| Notes | | | |
| For parallel power feed to several motor-protective circuit-breakers on terminals 1, 3, 5 | | | |

Technical data

Main conducting paths

| | | | |
|---------------------------------------|-----------|------|-------|
| Rated impulse withstand voltage | U_{imp} | V AC | 6000 |
| Overtoltage category/pollution degree | | | III/3 |
| Rated operational voltage | U_e | V AC | 690 |
| Rated uninterrupted current | I_u | A | 63 |

Design verification as per IEC/EN 61439

| | | | |
|--|------------|----|--|
| Technical data for design verification | | | |
| Rated operational current for specified heat dissipation | I_n | A | 63 |
| Heat dissipation per pole, current-dependent | P_{vid} | W | 2.8 |
| Equipment heat dissipation, current-dependent | P_{vid} | W | 8.4 |
| Static heat dissipation, non-current-dependent | P_{vs} | W | 0 |
| Heat dissipation capacity | P_{diss} | W | 0 |
| Operating ambient temperature min. | | °C | -25 |
| Operating ambient temperature max. | | °C | 55 |
| IEC/EN 61439 design verification | | | |
| 10.2 Strength of materials and parts | | | |
| 10.2.2 Corrosion resistance | | | |
| 10.2.2.1 Verification of thermal stability of enclosures | | | Meets the product standard's requirements. |
| 10.2.2.2 Verification of resistance of insulating materials to normal heat | | | Meets the product standard's requirements. |
| 10.2.2.3 Verification of resistance of insulating materials to abnormal heat and fire due to internal electric effects | | | Meets the product standard's requirements. |
| 10.2.4 Resistance to ultra-violet (UV) radiation | | | Meets the product standard's requirements. |
| 10.2.5 Lifting | | | Does not apply, since the entire switchgear needs to be evaluated. |
| 10.2.6 Mechanical impact | | | Does not apply, since the entire switchgear needs to be evaluated. |
| 10.2.7 Inscriptions | | | Meets the product standard's requirements. |
| 10.3 Degree of protection of ASSEMBLIES | | | |
| 10.4 Clearances and creepage distances | | | |
| 10.5 Protection against electric shock | | | |
| 10.6 Incorporation of switching devices and components | | | |
| 10.7 Internal electrical circuits and connections | | | |
| 10.8 Connections for external conductors | | | |

| | | | |
|--|--|--|--|
| 10.9 Insulation properties | | | |
| 10.9.2 Power-frequency electric strength | | | Is the panel builder's responsibility. |
| 10.9.3 Impulse withstand voltage | | | Is the panel builder's responsibility. |
| 10.9.4 Testing of enclosures made of insulating material | | | Is the panel builder's responsibility. |
| 10.10 Temperature rise | | | The panel builder is responsible for the temperature rise calculation. Eaton will provide heat dissipation data for the devices. |
| 10.11 Short-circuit rating | | | Is the panel builder's responsibility. The specifications for the switchgear must be observed. |
| 10.12 Electromagnetic compatibility | | | Is the panel builder's responsibility. The specifications for the switchgear must be observed. |
| 10.13 Mechanical function | | | The device meets the requirements, provided the information in the instruction leaflet (IL) is observed. |

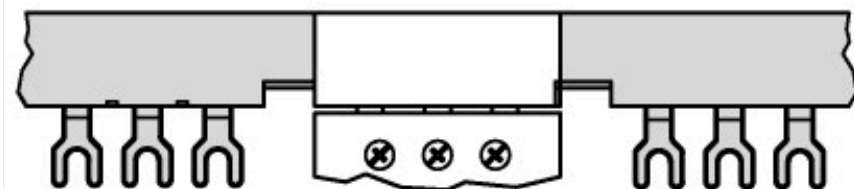
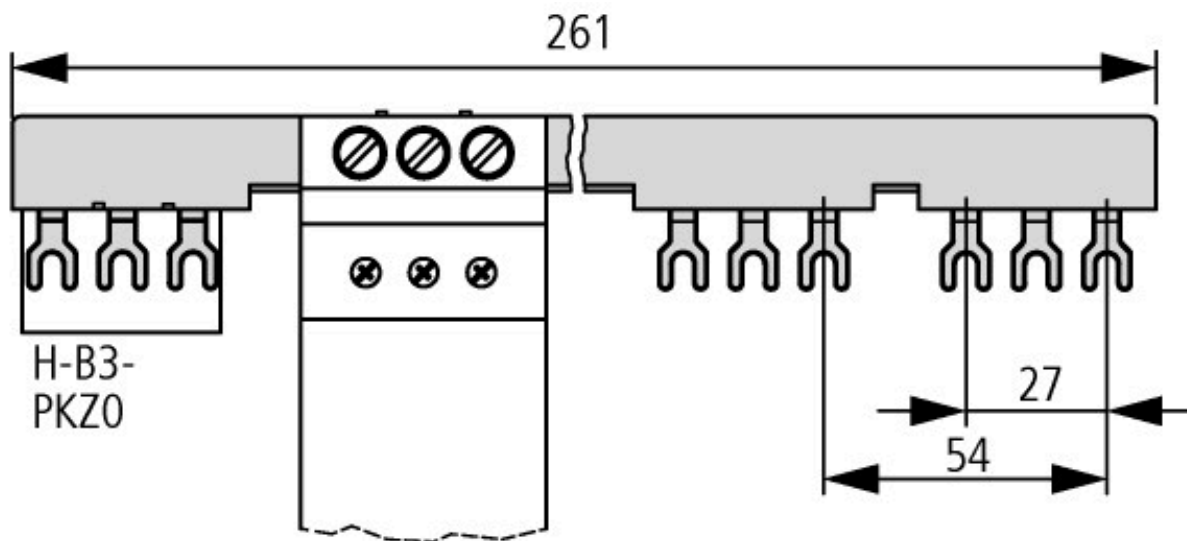
Technical data ETIM 6.0

| | | | |
|--|--|-----------------|------|
| Low-voltage industrial components (EG000017) / Phase busbar (EC000215) | | | |
| Electric engineering, automation, process control engineering / Low-voltage switch technology / Component for low-voltage switching technology / Phase busbar (ec@ss8.1-27-37-13-06 [ACN992008]) | | | |
| Number of phases | | | 3 |
| Number of poles | | | 3 |
| Suitable for number of devices | | | 5 |
| Pitch dimensions | | mm | 54 |
| Cross section | | mm ² | 0 |
| Length | | mm | 261 |
| Number of modular spacings | | | 0 |
| Rated permanent current I _u | | A | 63 |
| Type of electric connection | | | Fork |
| Insulated | | | Yes |
| Rated surge voltage | | kV | 6 |
| Conditioned rated short-circuit current I _q | | kA | 0 |
| Max. rated operation voltage U _e | | V | 690 |
| Rated short-time withstand current I _{cw} | | kA | 0 |
| Suitable for devices with N-busbar | | | No |
| Suitable for devices with auxiliary switch | | | No |

Approvals

| | | | |
|--------------------------------------|--|--|--|
| Product Standards | | | UL 508; CSA-C22.2 No. 14; IEC60947-4-1; CE marking |
| UL File No. | | | E36332 |
| UL Category Control No. | | | NLRV |
| CSA File No. | | | 98494 |
| CSA Class No. | | | 3211-06 |
| North America Certification | | | UL listed, CSA certified |
| Specially designed for North America | | | No |

Dimensions



Three-phase commoning link

Assets (Links)

Declaration of Conformity

00002572

Additional product information (links)

| | |
|--|---|
| Motor starters and "Special Purpose Ratings" for the North American market | http://www.moeller.net/binary/ver_techpapers/ver953en.pdf |
| Busbar Component Adapters for modern Industrial control panels | http://www.moeller.net/binary/ver_techpapers/ver960en.pdf |