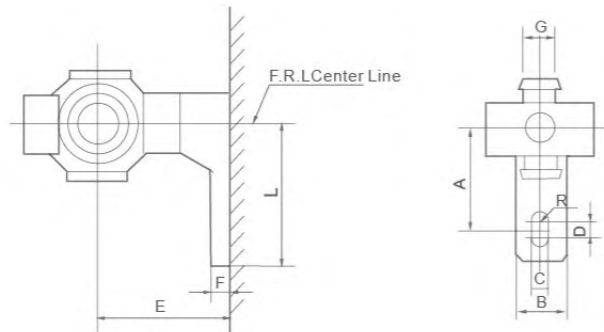


XA Series Air Unit Accessories



Spacer With L-Type Bracket

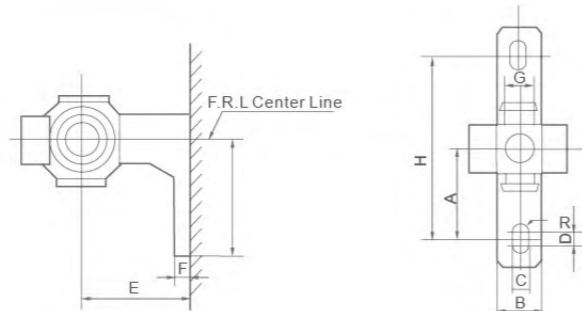


Dimension Sheet

Model	A	B	C	D	E	F	G	R	L	Applicable Model
B110L	20	12	4.5	3	25	5	8	2.25	27	AC1000
B210L	24	15	5.5	3	30	5	10	2.75	33	AC2000
B310L	35	16	7	4	41	7	11	3.5	45	AC2500~3000
B410L	40	22	9	4	50	7	14	4.5	50	AC4000
B510L	40	22	9	4	50	7	14	4.5	50	AC4000-06
B610L	50	23	12	4	69.8	10.5	15	6	63	AC5000



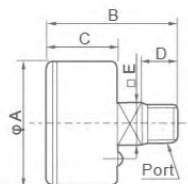
Spacer With T-Type Bracket



Dimension Sheet

Model	A	B	C	D	E	F	G	H	R	L	Applicable Model
B110T	20	12	4.5	3	25	5	8	40	2.25	27	AC1010
B210T	24	15	5.5	3	30	5	10	48	2.75	33	AC2010
B310T	35	16	7	4	40	7	11	70	3.5	45	AC3010
B410T	40	22	9	4	50	7	14	80	4.5	50	AC4000
B510T	40	22	9	4	50	7	14	80	4.5	50	AC4010-06
B610T	50	23	12	4	69	10.5	15	100	6	63	AC5010

Pressure Gauge



Model	Pressure Range	Port	A	B	C	D	E	Applicable Model
G27-10-R1		G1/16"	26	17.5	11	6.5	11	AR1000 AW1000
G36-10-01	0~1MPa(Red)	G1/8"	42	38.5	24	10	11	AR2000~3000 AW2000~3000
G46-10-02	0~150psi(Blue)	G1/4"	52.5	43.5	25	10	14	AR4000~5000 AW4000~5000

Solenoid valves

Solenoid valves are used for change directional of air flow, control by electricity. There are 3/2, 5/2 and 5/3 way/position as optional, and the port size from M5 to 1/2". XCPC never stop its step to improve the quality, 2 times life time, less friction inside the valve body and high dust prevention, the new type of solenoid valve is available now.

