

Maximize Short-Circuit Current Rating While Improving Safety

UL Listed, Finger-Safe Enclosed Power Distribution Blocks Offer High SCCR

New 2008 NEC® and UL 508A SCCR marking requirements state that the following equipment must be marked with an assembly SCCR:

- Industrial Control Panels [409.110]
- Industrial Machinery Electrical Panels [670.3(A)]
- Certain HVAC Equipment [440.4(B)]

This SCCR is based on the lowest-rated component, or weakest link, in the assembly. Unmarked power distribution blocks will default to a rating of 10kA. The new Cooper Bussmann® enclosed Series PDBFS offers both high SCCR and enhanced shock protection.

- **UL Listing Meets Requirements Eliminating Investigation and Procedures**

Listed to UL 1953 for minimum spacing requirements of at least 1" through air and 2" over surface as required for UL 508A industrial control panel feeder applications. See back page.

- **High SCCR**

Up to 200kA rating enables the power distribution block to be one of the highest rated devices in the panel. This helps achieve a high assembly SCCR.

- **Enclosed for Enhanced Electrical Safety**

Safer work conditions. Finger-safe and IP20 under specific conditions.

- **Modular, Space Saving Design**

Gangable for flexible multi-pole installations, plus small footprint for tight spacing.

- **Simple and Fast Installation**

DIN rail mount or panel mount, (See datasheet 1049). Captive terminal screws are backed out at the factory.

- **Meets Wireway Requirements**

Series PDBFS can be used to meet the new 2008 NEC® 376.56(B) requirement, which requires listed PDBs and no exposed live parts with or without wireway cover installed.



Cooper Bussmann UL Listed PDBs With High SCCRs

Features/Benefits

- UL Listed 1953. File E256146
- CSA Certified, Class 6228-01, File 15364
- 600Vac/dc (UL1953), 690Vac/dc (IEC)
- SCCR up to 200kA, see table for details
- Single-pole, gang for multiple pole applications with accessory part 2A1279 interlocking dovetail
- Datasheet #1049 located at www.cooperbussmann.com

UL Listed 1953 vs. UL Recognized 1059

Listed products require simply checking to ensure that the product is used in accordance with its listing and labeling. However, for recognized products, such as power terminal blocks, the “Conditions of Acceptability” must be investigated to ensure the product is suitable for the specific application, and then the procedure description must be documented in the manufacturer’s procedure for the assembly.

Series PDBFS

		Terminal Copper Conductor Capability			Short-Circuit Current Rating Data							
		Line	Load	Configuration	Conductors		Max Fuse Class & Amp**				SCCR	
Catalog Number (All Single Pole)	Amps	Wire Range	Wire Range	Openings per Pole		Line AWG or kcmil	Load AWG or kcmil	J LPJ	T JJS JJN	RK1 LPS-RK LPN-RK		RK5 FRS-R FRN-R
				Line	Load							
PDBFS204	175A	2/0 - 8 AWG 70 - 10 mm ²	2/0 - 8 AWG 70 - 10 mm ²	○	○	2/0 - 8	2/0 - 8	200	200	100	60	200kA
PDBFS220	175A	2/0 - 8 AWG 70 - 10 mm ²	4 - 14 AWG 25 - 2.5 mm ²	○	○○○○	2/0 - 8	4 - 12	200	200	100 [†]	60 [†]	200kA
							#14	175 [†]	175 [†]	100 [†]	60 [†]	100kA
								200 [†]	200 [†]	100 [†]	60 [†]	50kA
PDBFS303	310A	350kcmil - 6 AWG 185 - 16 mm ²	350kcmil - 6 AWG 185 - 16 mm ²	○	○	350 - 6	350 - 6	400	400	200	100	200kA
PDBFS330	380A	500kcmil - 6 AWG 240 - 16 mm ²	2 - 14 AWG 35 - 2.5 mm ²	○	○○○○	500 - 6	2 - 6	400	400	200 [†]	100 [†]	200kA
							8 - 14	200 [†]	200 [†]	100 [†]	30 [†]	50kA
								175 [†]	175 [†]	100 [†]	30 [†]	100kA
PDBFS377	570A	300kcmil - 4 AWG 150 - 12 mm ²	4 - 14 AWG 25 - 2.5 mm ²	○○	○○○○ ○○○○ ○○○○	300	4 - 8	600	600	400 [†]	200 [†]	200kA
						250 - 4	4	600 [†]	600 [†]	400 [†]	200 [†]	50kA
							6 - 14	200 [†]	200 [†]	100 [†]	30 [†]	50kA
PDBFS500	620A	350kcmil - 4 AWG 185 - 12 mm ²	350kcmil - 4 AWG 185 - 12 mm ²	○○	○○	350	350	600	600	400	200	200kA
						300 - 4	300 - 4	600	800	600	200	100kA
PDBFS504	760A	500kcmil - 6 AWG 240 - 16 mm ²	500kcmil - 6 AWG 240 - 16 mm ²	○○	○○	500	500	600	800*	600	400	200kA
						400 - 6	400 - 6	600	800*	600	600	100kA
								600	600	400	200	100kA

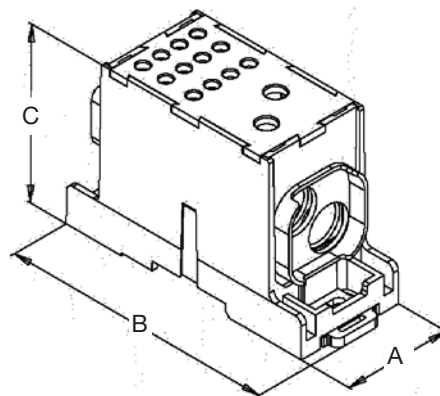
Ampacities 75°C per NEC® Table 310.16 and UL 508A Table 28.1

*Class L 800A (KRP-C 800_SP) or less fuses suitable for this particular SCCR case.

** Class G 60A (SC-60) or less or Class CC 30A (LP-CC-30, FNQ-R-30, KTK-R-30) or less are suitable for all these SCCRs in this table.

† Higher SCCR may be available, check latest datasheet 1049.

Dimensions inches (mm)			
Part No.	Width (A)	Length (B)	Height (C)
PDBFS204	1.030 (26.16)	3.372 (94.80)	2.146 (54.50)
PDBFS220	1.030 (26.16)	3.372 (94.80)	2.146 (54.50)
PDBFS303	1.550 (39.37)	4.665 (118.50)	2.874 (73.00)
PDBFS330	1.550 (39.37)	4.665 (118.50)	2.874 (73.00)
PDBFS377	1.875 (47.62)	4.665 (118.50)	2.933 (74.50)
PDBFS500	2.380 (60.45)	4.665 (118.50)	2.598 (66.00)
PDBFS504	2.560 (65.02)	4.665 (118.50)	3.150 (80.00)



For additional information see Datasheet #1049 located at www.cooperbussmann.com/datasheets/ulcsa

©2009 Cooper Bussmann
St. Louis, MO 63178
636-394-2877
www.cooperbussmann.com