

## General Information About Solenoid Valve

Inner structure and categories of two way solenoid valves

### Direct acting solenoid valves

Including normal close style (N.C.) and normal open style(N.O.). The N.C. style solenoid valve stay close at power off condition. When power on, the coil yields electricity-magnetic force, which exceed the spring force and hence pulls active armature approaching to static armature, the valve becomes open; when power off, the electricity-magnetic force disappear and the active armature go back to its original place by the spring force, the valve close. The N.O. style is just opposite. These valve are normally simple structure, dependable action, fast response, high, frequency and with  $\leq 6\text{mm}$  small orifice size(N.O. style  $\leq 4\text{mm}$ ).

### Diaphragm pilot solenoid valves

This style valve makes main valve and pilot valve together, when power on, the coil yields electricity-magnetic force pulls active armature approaching to static armature, the pilot valve open and control the main valve to open; when power off, the electricity-magnetic force disappear and with the gravity and spring force, the active armature close the pilot valve, which control the main valve to close. The N.O. style is just opposite. These valve are normally with bigger orifice size and  $\leq 10\text{Bar}$  working pressure and with zero differential working pressure.

### Piston pilot solenoid valves

Similar with piston pilot solenoid valves, but supports for higher pressure and temperature, with  $\geq 1$  Bar differential working pressure.

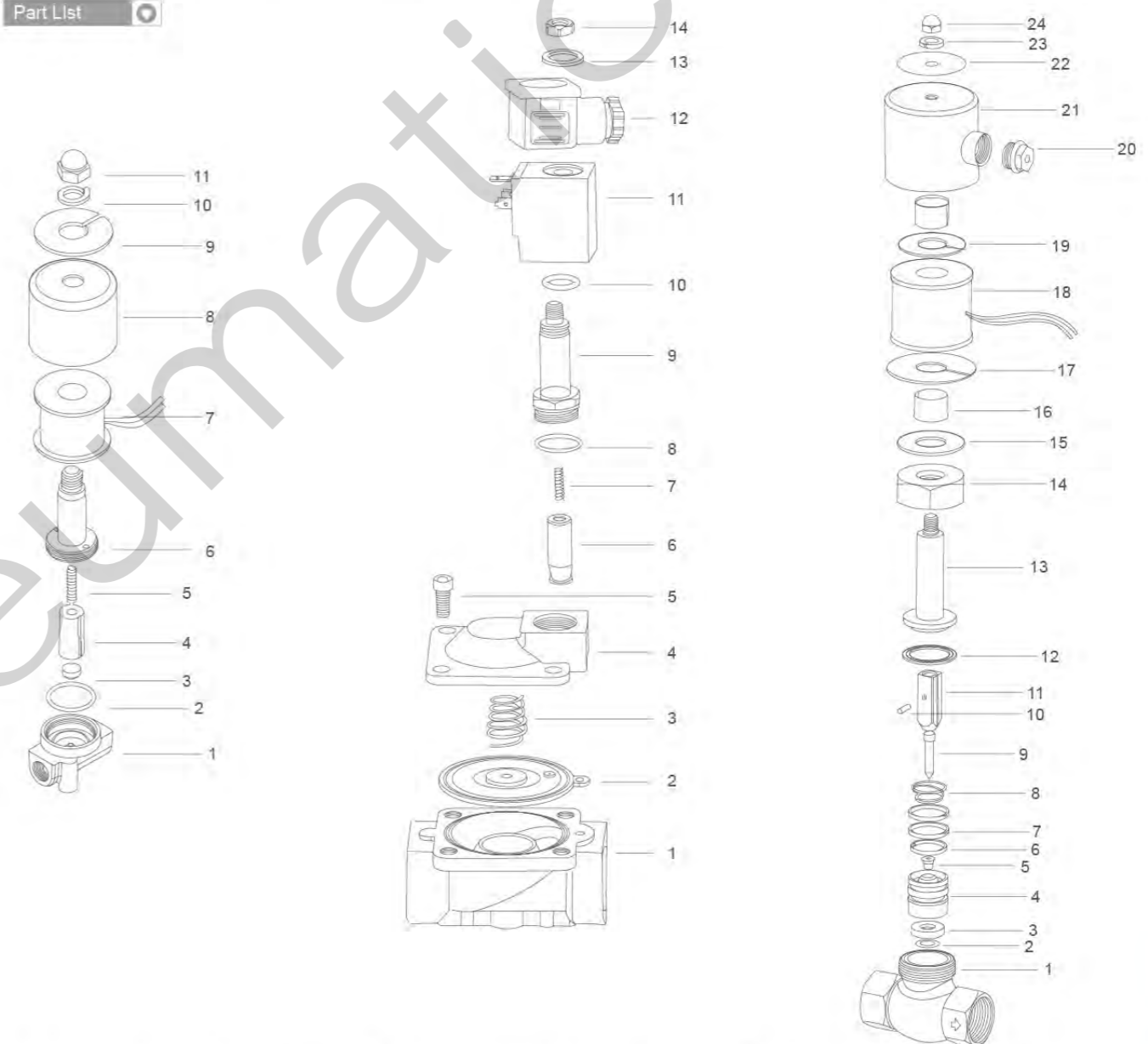
Seal Features

Material	NBR	HNBR	EPDM	VMQ	FKM	PTFE	PU
Highest working temperature	80°C	120°C	120°C	180°C	120°C	200°C	80°C
Lowest working temperature	-5°C	-10°C	-20°C	-40°C	-20°C	-50°C	-20°C
Anti-burning	×	×	×	△	⊙	⊙	△
Steam	×	△	⊙	○	△	○	×
Oil	⊙	⊙	×	△	⊙	⊙	⊙
O <sub>3</sub>	△	⊙	⊙	⊙	⊙	⊙	⊙
Chemical	△	○	⊙	⊙	⊙	⊙	⊙
Acid	△	○	⊙	△	⊙	⊙	×
Alkalinity	○	⊙	⊙	△	⊙	⊙	×
Water	○	⊙	⊙	○	○	⊙	⊙
Wearing	○	⊙	○	×	○	⊙	⊙
Anti distortion	○	○	○	⊙	○	×	×
Tension	⊙	⊙	⊙	×	○	×	⊙

Description of the symbol: ⊙ Very good ○ Good △ Normal level × Not OK

## General Information About Solenoid Valve

Part List



No	Designation
1	Valve body
2	O-ring
3	Seal pad
4	Pilot
5	Spring
6	Armature
7	Coil
8	Steel washer
9	Washer
10	Spring washer
11	Nut

No	Designation
1	Valve body
2	Diaphragm
3	Diaphragm spring
4	Valve cover
5	Hexagon screw
6	Pilot units
7	Plunger Spring
8	O-ring
9	Plunger tube assembly
10	O-ring
11	Coil
12	Connector
13	Gasket
14	Lock Nut

No	Designation	No	Designation
1	Valve body	13	Static armature
2	Washer	14	Nut
3	Seal pad	15	Gasket
4	Valve core	16	Bushing
5	Seal	17	Steel plate
6	Gasket	18	Coil
7	Guide ring	19	Steel plate
8	Spring	20	Nut
9	Valve needle	21	Steel cover
10	Pin	22	Min plate
11	Armature	23	Spring washer
12	Seal ring	24	Nut

### 2V Series 2/2 Solenoid Valve



Ordering Code

<b>2V</b>	<b>025</b>	<b>06</b>	<b>AC220V</b>	<b>V</b>
<b>Specification Code</b> 2V: Two-position Two-way Solenoid Valve	<b>Aperture of Flow Rate</b> 025: 2.5mm 130: 13mm 250: 25mm	<b>Port Size</b> 06: G1/8" 08: G1/4" 10: G3/8" 15: G1/2" 20: G3/4" 25: G1"	<b>Standard Voltage</b> DC12V DC24V AC24V 50Hz/60Hz AC110V 50Hz/60Hz AC220V 50Hz/60Hz AC380V 50Hz/60Hz	<b>Oil Seal Code</b> Blank: NBR V: VITON (For High temperature)

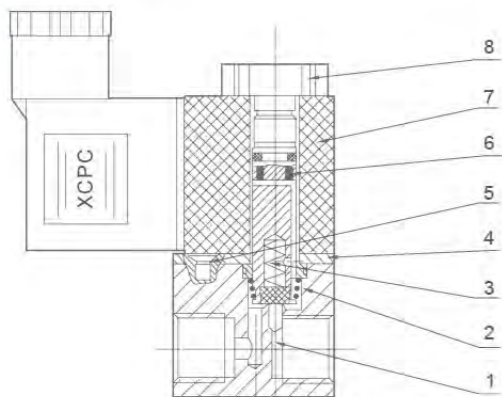
Graphic Symbol



Specification

Model	2V025-06	2V025-08	2V130-10	2V130-15	2V250-20	2V250-25
Working Medium	Air, Water, Oil					
Motion Pattern	Direct Drive Type			Guide Type		
Type	Normal Close Type					
Aperture of Flow Rate (mm)	2.5		13		25	
CV Value	0.23		6.2		23	
Port Size	G1/8"	G1/4"	G3/8"	G1/2"	G3/4"	G1"
Operation Fluid Viscosity	20 CST (Below)					
Working-pressure	Air, Water, Oil 0~0.8MPa			Air, Water, Oil 0.05~0.7MPa		
Max. Pressure Resistance	12kgf/cm <sup>2</sup>			10.5kgf/cm <sup>2</sup>		
Operating Temperature Range	-10~+80°C					
Voltage Range	±10%					
Protect Class	IP65					
Power Consumption	AC: 7VA/860Hz PC: 6W					
Insulation	F Class					
Material of Body	Aluminum or Brass			Brass		
Material of Oil Seal	NBR or VITON			NBR		
Shortest Excitation Time	0.05 Second					

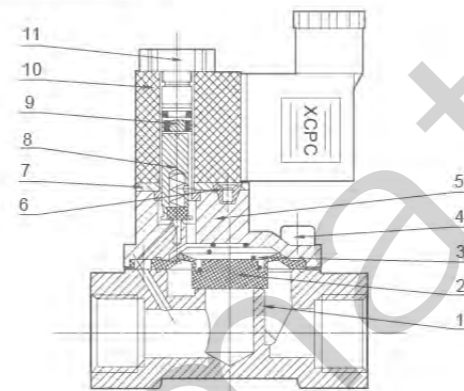
Internal structure



No	Name
1	Body Of Valve
2	Spring
3	Assembly Of Iron Core
4	Assembly Of Iron Core
5	Cruciform Slot Screw
6	Platen
7	Coil
8	Nut

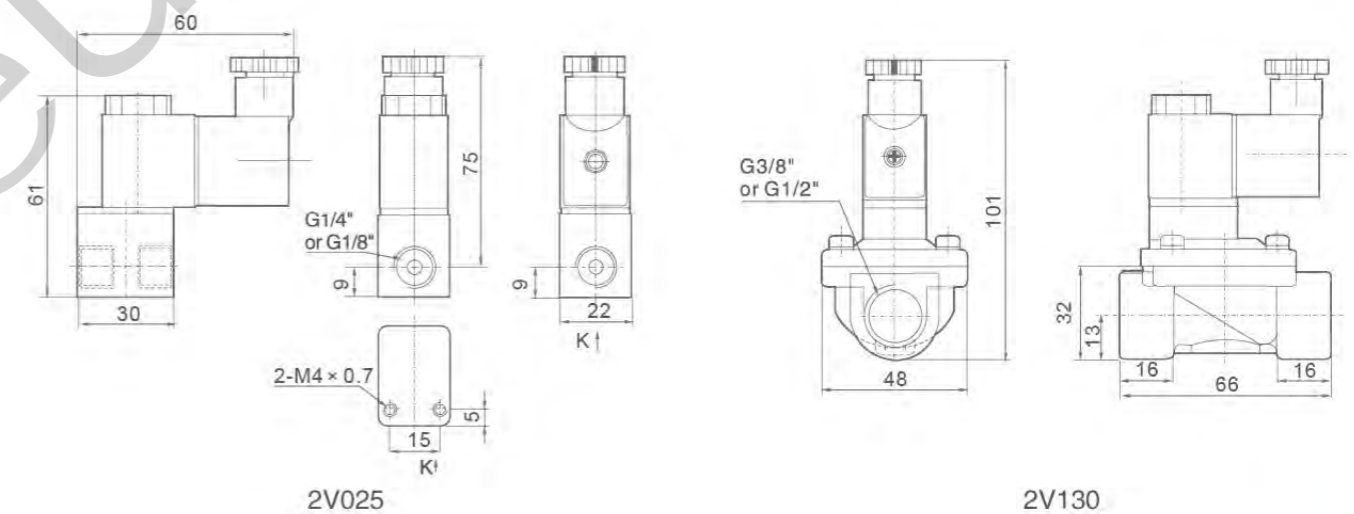
### 2V Series 2/2 Solenoid Valve

Internal structure



No	Name
1	Body Of Valve
2	Diaphragm
3	Spring
4	Socket Hexagon Screws
5	Cover board
6	Cruciform Slot Screw
7	Platen
8	Assembly Of Iron Core
9	Assembly Of Iron Core
10	Coil
11	Nut

Overall Dimensions



2P Series 2/2 Solenoid Valve (Plastic Steel Type)



Ordering Code

2P — 025 — 06 — AC220V — □

**Specification Code**  
2P: Two-position Two-way Solenoid Valve (Reinforced plastic steel type)

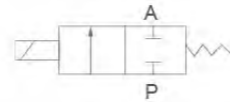
**Aperture of Flow Rate**  
025: 2.5mm

**Port Size**  
06: G1/8"  
08: G1/4"

**Standard Voltage**  
DC12V DC24V  
AC24V 50Hz/60Hz  
AC110V 50Hz/60Hz  
AC220V 50Hz/60Hz  
AC380V 50Hz/60Hz

**Wiring Form**  
Blank: Lead wire Type  
D: Joint Connector

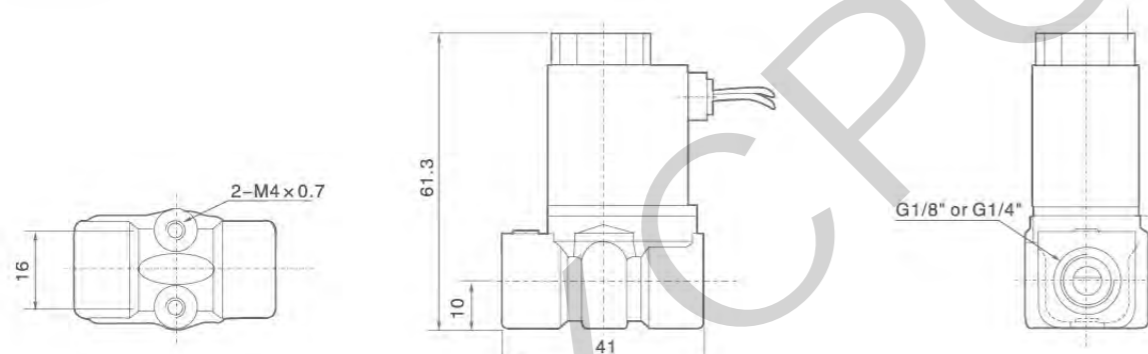
Graphic Symbol



Specification

Model	2V025-06	2V025-08
Working Medium	Air, Water, Oil, Gas	
Motion Pattern	Direct Drive Type	
Type	Normal Close Type	
Aperture of Flow Rate (mm)	2.5	
CV Value	0.23	
Port Size	G1/8"	G1/4"
Operation Fluid Viscosity	20 CST (Below)	
Working-pressure	0~0.7MPa	
Max. Pressure Resistance	1.0MPa	
Operating Temperature Range	-5~+80℃	
Voltage Range	±10%	
Material of Body	Engineering Plastic Steel	
Material of Oil Seal	NBR EPDM or VITON	

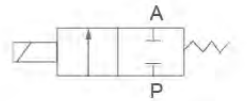
Overall Dimensions



2W(UD) Series 2/2 Direct Drive Type Solenoid Valve (Small Aperture)



Graphic Symbol



Ordering Code

2W — 025 — 08 — F — AC220V — □

**Specification Code**  
2W: Two-position Two-way solenoid valve direct drive type  
2WH: Two-position Two-way solenoid valve (High pressure direct drive Type)

**Aperture of Flow Rate**  
012: 1.2mm  
020: 2.0mm  
025: 2.5mm  
040: 4.0mm

**Port Size**  
06: G1/8"  
08: G1/4"  
10: G3/8"

**Initial Estate**  
Blank: Pipe Joint Type  
F: Flange Type

**Standard Voltage**  
DC12V DC24V  
AC24V 50Hz/60Hz  
AC36V 50Hz/60Hz  
AC110V 50Hz/60Hz  
AC220V 50Hz/60Hz  
AC380V 50Hz/60Hz

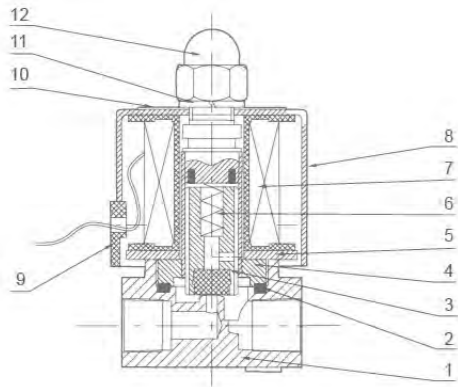
**Wiring Form**  
Blank: Lead Wire Type  
D: Joint Connector  
E: Blast-proof Coil  
G: Water-proof Coil

Specification

Model	2W025-06	2W025-08	2W040-10	2WH012-06	2WH012-08	2WH020-10
Working Medium	Air, Water, Oil, Gas					
Motion Pattern	Direct Drive Type					
Type	Normal Close Type					
Aperture of Flow Rate (mm)	2.5	2.5	4	1.2	1.2	2
CV Value	0.23	0.23	0.60	0.05	0.05	0.15
Port Size	G1/8"	G1/4"	G3/8"	G1/8"	G1/4"	G3/8"
Operation Fluid Viscosity	20 CST (Below)					
Working-pressure	Air, Water, Oil, Gas: 0~0.7MPa			Air, Water, Oil: 0~2.0MPa		
Max. Pressure Resistance	1.0			3.5		
Operating Temperature Range	-5~+80℃					
Voltage Range	±10%					
Material of Body	Brass					
Material of Oil Seal	NBR EPDM or VITON					

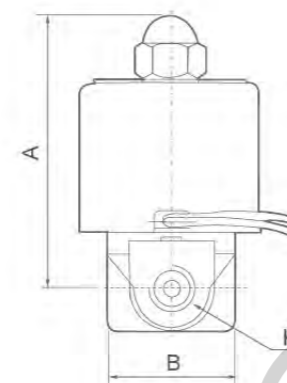
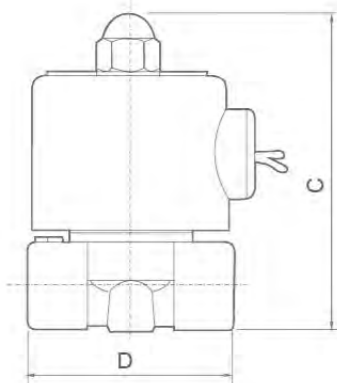
### 2W(UD) Aperture 2/2 Direct Drive Type Solenoid Valve(Small Aperture)

Internal structure



No	Name
1	Body Of Valve
2	O-ring
3	Assembly Of Iron Core
4	Assembly Of Iron Core
5	Magnetic Plate
6	Spring
7	Assembly Of Coil
8	Iron Cover
9	Cord-locks
10	Name Plate
11	Gasket
12	Head Cover Nut

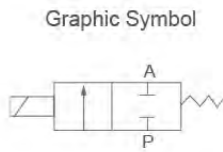
Overall Dimensions



Dimension Sheet

Symbol/Model	A	B	C	D	K(PT)
2W025-06	66	30.3	75	41.5	G1/8"
2W025-08	66	30.3	75	41.5	G1/4"
2W040-10	74	32.2	85.5	53	G3/8"
2WH012-06	66	30.3	75	40.5	G1/8"
2WH012-08	66	30.3	75	40.5	G1/4"
2WH020-10	74	32.3	85.5	53	G3/8"

### 2W(UW) Series 2/2 Direct Drive Type Solenoid Valve(Large Aperture)



Ordering Code

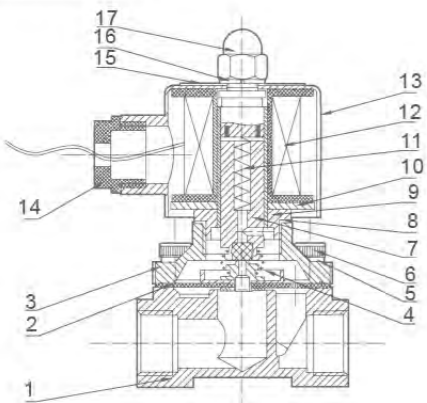
<b>2W</b>	<b>160</b>	<b>15</b>	<b>F</b>	<b>AC220V</b>	
<b>Specification Code</b> 2W:Two-position two-way solenoid valve (direct drive type)	<b>Aperture of Flow Rate</b> 160:16mm 200:20mm 250:25mm 350:35mm 400:40mm 500:50mm	<b>Port Size</b> 10:G3/8" 15:G1/2" 20:G3/4" 25:G1" 35:G1 1/4" 40:G1 1/2" 50:G2"	<b>Initial Estate</b> Blank:Pipe Joint Type F: Flange Type	<b>Standard Voltage</b> DC12V DC24V AC24V 50Hz/60Hz AC36V 50Hz/60Hz AC110V 50Hz/60Hz AC220V 50Hz/60Hz AC380V 50Hz/60Hz	<b>Wiring Form</b> Blank:Lead Wire Type D: Joint Connector

Specification

Model	2W160-10	2W160-15	2W160-20	2W250-25	2W350-35	2W400-40	2W500-50
Working Medium	Air,Water,Oil,gas						
Motion Pattern	Direct Drive Type						
Type	Normal Close Type / Normal Open Type						
Aperture of Flow Rate(mm)	16	20	25	35	40	50	
CV Value	4.8	7.6	12	24	29	48	
Port Size	G3/8"	G1/2"	G3/4"	G1"	G1 1/4"	G1 1/2"	G2"
Operation Fluid Viscosity	20 CST (Below)						
Working-pressure	Air:0~0.7MPa Water:0~0.5MPa Oil:0~0.5MPa Gas: 0~7MPa						
Max. Pressure Resistance	1.0MPa						
Operating Temperature Range	-5~+80℃						
Voltage Range	±10%						
Material of Body	Brass						
Material of Oil Seal	NBR EPDM or VITON						

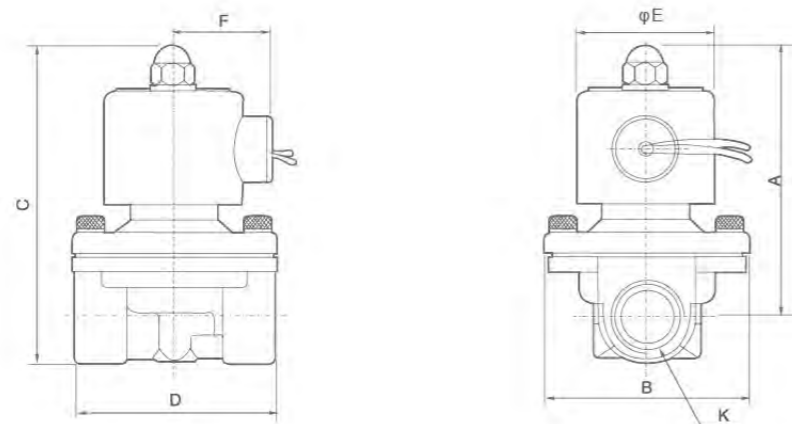
### 2W(UW) Series 2/2 Direct Drive Type Solenoid Valve(Large Aperture)

Internal structure



NO	Name	NO	Name
1	Body Of Valve	10	Magnetic Plate
2	Assembly Of Diaphragm	11	Spring
3	Valve Cover	12	Assembly Of Coil
4	Pull Spring	13	Iron Cover
5	Gasket	14	Cord-locks
6	Socket Hexagon Screws	15	Name Plate
7	Assembly Of Iron Core	16	Gasket
8	Seal Gasket	17	Head Cover Nut
9	Assembly Of Iron Core		

Overall Dimensions

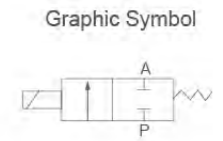


2W(Large Aperture)

Dimension Sheet

Model	A	B	C	D	E	F	K
2W160-10	101.5	57	117	67	50	36	G3/8"
2W160-15	101.5	57	117	67	50	36	G1/2"
2W200-20	107	57	123.5	72	50	36	G3/4"
2W250-25	111.5	73.5	134.5	92	50	36	G1"
2W350-35	142	95	172	125	70.5	56	G1 1/4"
2W400-40	142	95	172	125	70.5	56	G1 1/2"
2W500-50	172	123	209	168	70.5	56	G2"

### 2S Series Stainless Steel Solenoid Valve



Ordering Code

2S - 025 - 08 - F - AC220V - □

Specification Code	Aperture of Flow Rate	Port Size	Initial Estate	Standard Voltage	Wiring Form
2S:Two-position two-way solenoid valve (Stainless steel direct drive type)	025:2.5mm 040:4.0mm 160:16mm 200:20mm 250:25mm 350:35mm 400:40mm 500:50mm	08:G1/4" 10:G3/8" 15:G1/2" 20:G3/4" 25:G1" 35:G1 1/4" 40:G1 1/2" 50:G2"	Blank:Pipe Jiont type F: Flange Type	DC12V DC24V AC24V 50Hz/60Hz AC36V 50Hz/60Hz AC110V 50Hz/60Hz AC220V 50Hz/60Hz AC380V 50Hz/60Hz	Blank:Lead Wire Type D:Joint Connector E:Blast-proof Coil G:Water-proof Coil

Specification

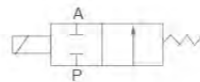
Model	2S025-06(08)	2S050-10	2S160-10(15)	2S030-06(08)	2S250-25	2S350-35(40)	2S500-50
Working Medium	Air,Water,Oil,Gas						
Motion Pattern	Direct Drive Type						
Type	Normal Close Type						
Aperture of Flow Rate(mm)	2.5	5	16	20	35	40	50
CV Value	0.23	0.60	4.8	7.6	24	29	48
Port Size	G1/8" G1/4"	G3/8"	G3/8" G1/2"	G3/4"	G1"	G1 1/4" G1 1/2"	G2"
Operation Fluid Viscosity	20 CST (Below)						
Working-pressure	Air:0~0.7MPa Water:0~0.5MPa, Air:0~0.7MPa, Oil:0~0.5MPa, Gas:0~0.7MPa						
Max. Pressure Resistance	1.05MPa						
Operating Temperature Range	-5~+80℃						
Voltage Range	±10%						
Material of Body	Stainless steel						
Material of Oil Seal	NBR EPDM or VITON						

Note:2S Series Solenoid Valve's Oevrrall Dimension, Flow Chart and Inner Structure all Same as 2W Series.

### 2W/2S Normal Open Series Solenoid Valve



Graphic Symbol



Ordering Code

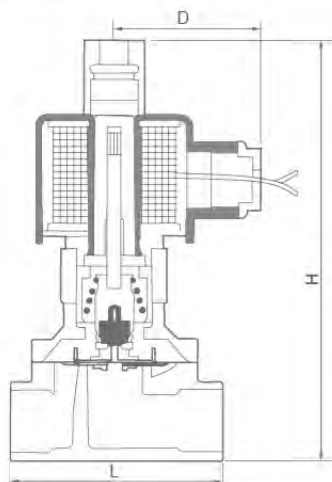
**2W** - **160** - **10** - **NO** - **AC220V** -

Specification Code	Aperture of Flow Rate	Port Size	Initial Estate	Standard Voltage	Wiring Form
2W:Two-position two-way solenoid valve (direct drive type)	040:4.0mm	10:G3/8"	NO: Normal Open	DC12V DC24V	Blank:Lead Wire Type
2S:Stainless steel two position two way solenoid valve(direct drive type)	160:16mm	15:G1/2"		AC24V 50Hz/60Hz	D:Joint Connector
	200:20mm	20:G3/4"		AC36V 50Hz/60Hz	E:Blast-proof Coil
	250:25mm	25:G1"		AC110V 50Hz/60Hz	G:Water-proof Coil
				AC220V 50Hz/60Hz	
				AC380V 50Hz/60Hz	

Specification

Model	2W/2S(040/050-10NO)	2W/2S(160-10NO)	2W/2S(160-15NO)	2W/2S(200-20NO)	2W/2S(250-25NO)
Working Medium	Air,Water,Oil,Gas				
Motion Pattern	Direct Drive Type				
Type	Normal Open Type				
Aperture of Flow Rate(mm)	4	16	16	20	25
CV Value	0.6	4.8	4.8	7.6	12
Port Size	G3/8"	G3/8"	G1/2"	G3/4"	G1"
Operation Fluid Viscosity	20 CST (Below)				
Working-pressure	Water:0~0.5MPa Air:0~0.7MPa Oil:0~0.5MPa Gas: 0~0.7MPa				
Max. Pressure Resistance	1.05MPa				
Operating Temperature Range	-5~+80°C				
Voltage Range	±10%				
Material of Body	2W: Brass; 2S: Stainless steel				
Material of Oil Seal	NBR EPDM or VITON				

Overall Dimensions



Dimension Sheet

Model	L	H	D
2W040-10NO	53	105	54
2W160-10NO	69	116	62
2W160-15NO	69	116	62
2W200-20NO	73	127	62
2W250-25NO	99	135	62

### 2L(US) Series 2/2 Solenoid Valve



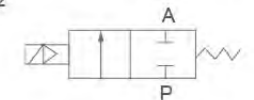
Ordering Code

**2L** - **170** - **15** - **AC220V**

Specification Code  
2L:Steam Type Two-position Two-way Solenoid Valve

Aperture of Flow Rate	Port Size	Standard Voltage
170:17mm	10:G3/8"	DC12V DC24V
200:22mm	15:G1/2"	AC24V 50Hz/60Hz
300:30mm	20:G3/4"	AC36V 50Hz/60Hz
500:50mm	25:G1"	AC110V 50Hz/60Hz
	35:G1 1/4"	AC220V 50Hz/60Hz
	40:G1 1/2"	AC380V 50Hz/60Hz
	50:G2"	

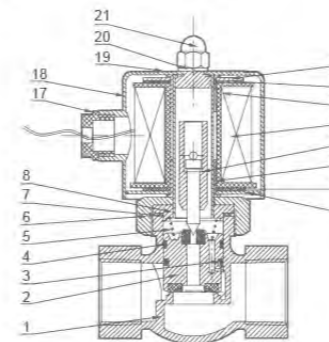
Graphic Symbol



Specification

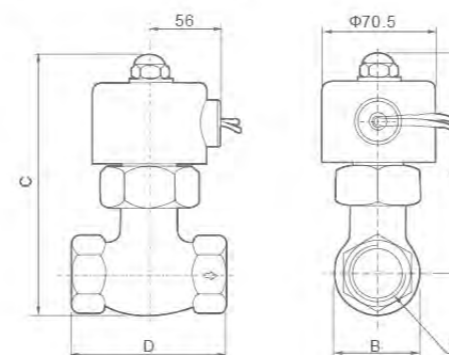
Model	2L170-10	2L170-15	2L170-20	2L200-25	2L300-35	2L300-40	2L500-50
Working Medium	Air, Water, Steam						
Motion Pattern	Guide Type						
Type	Normal Close Type						
Aperture of Flow Rate(mm)	17		22		30		50
CV Value	4.8		12		20		48
Port Size	G3/8"	G1/2"	G3/4"	G1"	G1 1/4"	G1 1/2"	G2"
Operation Fluid Viscosity	20 CST (Below)						
Working-pressure	Air, Water, Steam:0.1~1.5MPa						
Max. Pressure Resistance	2.25MPa						
Operating Temperature Range	-5~+180°C						
Voltage Range	±10%						
Material of Body	Brass						
Material of Oil Seal	PTFE						

Internal structure



No	Name	No	Name	No	Name
1	Body Of Valve	8	Assembly of Iron Core	15	Gasket
2	Assembly Of Piston	9	Magnetic Plate	16	Magnetic Plate
3	Springiness Spacer	10	Gasket	17	Cord-locks
4	Wear Strip	11	Bush	18	Iron Cover
5	Spring	12	Assembly Of Iron Core	19	Name Plate
6	Nut	13	Assembly Of Coil	21	Gasket
7	O-ring	14	Bush	21	Head Cover Nut

Overall Dimensions



Dimension Sheet

Model	A	B	C	D	K
2L170-10	125	38	146	76	G3/8"
2L170-15	125	42	146	81	G1/2"
2L170-20	125	47	146	84	G3/4"
2L200-25	136	54	162	91.5	G1"
2L300-35	148	76	185	111	G1 1/4"
2L300-40	148	76	185	111	G1 1/2"
2L500-50	176	88	223	164	G2"

PU220 Series 2/2 Solenoid Valve(Direct Drive Type)



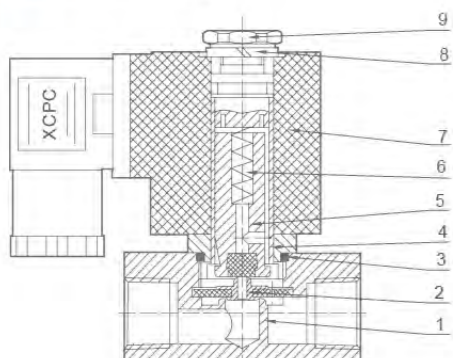
Ordering Code

<b>PU</b>	<b>220</b>	<b>02</b>	<b>A</b>	<b>AC220V</b>	<b>T</b>
<b>Specification Code</b> PU:Two -position Two -way solenoid valve	<b>Motion Pattern</b> 220:Direct Drive Type	<b>Port Size</b> 01:G1/8" 02:G1/4" 03:G3/8" 04:G1/2" 06:G3/4" 08:G1" 12:G1 1/4" 14:G1 1/2" 20:G2"	<b>Initial Estate</b> A: Large Flux AR: Small Aperture Direct Drive F: Flange Type	<b>Standard Voltage</b> AC220V AC110V DC12V DC24V	<b>Wiring Form</b> Blank:Standard Coil T:Timer Coil

Specification

Model	PU220-01AR	PU220-02AR	PU220-03AR	PU220-03A	PU220-04AR	PU220-04A	PU220-06A	PU220-08A
Working Medium	Air, Water, Oil							
Motion Pattern	220:Direct Drive Type/225:Guide Type							
Type	Normal Close Type							
Aperture of Flow Rate(mm)	1.5	2.3	8	13	8	13	20	25
CV Value	0.10	0.18	1.00	4.00	1.00	4.00	8.60	11.00
Joint Pipe Bore	G1/8"	G1/4"	G3/8"	G3/8"	G1/2"	G1/2"	G3/4"	G1"
Operation Fluid Viscosity	50 CST							
Working-pressure	0~0.7MPa							
Max. Pressure Resistance	1.05MPa							
Operating Temperature Range	-5~+80℃							

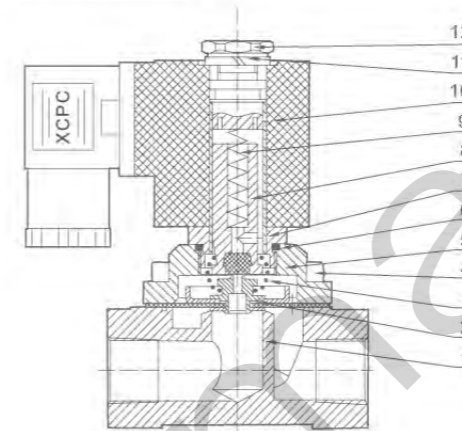
Internal structure



NO	Name
1	Body Of Valve
2	Assembly of Diaphragm
3	O-ring
4	Assembly Of Iron Core
5	Assembly Of Iron Core
6	Spring
7	Coil
8	Gasket
9	Nut

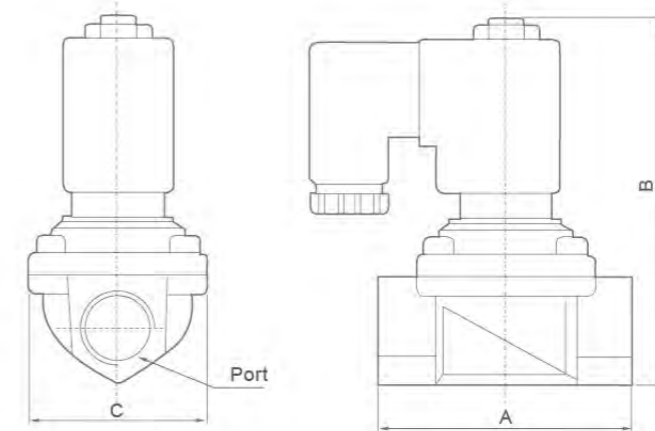
PU220 Series 2/2 Solenoid Valve(Direct Drive Type)

Internal structure



No	Name	No	Name
1	Body Of Valve	7	Assembly Of Iron Core
2	Assembly Of Diaphragm	8	Assembly Of Iron Core
3	Pull Spring	9	Spring
4	Socket Hexagon Screws	10	Coil
5	Valve Cover	11	Gasket
6	O-ring	12	Nut

Overall Dimensions



Dimension Sheet

Model	Port	A	B	C
PU220-01AR	G1/8"	22	72	22
PU220-02AR	G1/4"	35	72	25.4
PU220-03AR	G3/8"	55	79.5	30
PU220-03A	G3/8"	65.5	101	48
PU220-04A	G1/2"	65.5	101	48
PU220-06A	G3/4"	71	107	58
PU220-08A	G1"	97	120	70

PU 225 Series 2/2 Solenoid Valve(Guide Type)



Ordering Code

**PU** **225** - **03** - **A** **AC220V** - **T**

**Specification Code**  
PU: Two-position two-way solenoid valve  
SPU: Stainless steel two-position two-way solenoid valve

**Motion Pattern**  
225: Guide Type

**Port Size**  
03: G3/8"  
04: G1/2"  
06: G3/4"  
08: G1"  
12: G1/4"  
14: G1/2"  
20: G2"

**Initial Estate**  
A: Standard Type  
F: Flange Type

**Standard Voltage**  
AC220V  
AC110V  
DC12V  
DC24V

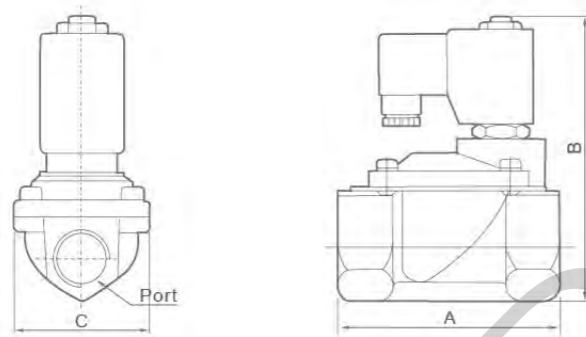
**Wiring Form**  
Blank: Standard Coil  
T: Timer Coil



Specification

Model	PU225-03A	PU225-04A	PU225-06A	PU225-08A	PU225-12A	PU225-14A	PU225-20A
Working Medium	Air, Water, Oil						
Motion Pattern	Guide Type						
Type	Normal Close Type						
Aperture of Flow Rate(mm)	13	13	25	25	38	38	50
CV Value	4.50	4.50	12.00	12.00	22.00	30.00	48.00
Port Size	G3/8"	G1/2"	G3/4"	G1"	G1/4"	G1/2"	G2"
Operation Fluid Viscosity	50 CST (Below)						
Working-pressure	0.05~1.0MPa						
Max. Pressure Resistance	1.5MPa						
Operating Temperature Range	-5~+80℃						
Material of Body	Brass or steel						

Overall Dimensions



Dimension Sheet

Model	Port	A	E	C
PU225-03A	G3/8"	66.5	106.5	48.0
SPU225-03A	G3/8"	66.5	106.5	48.0
PU225-04A	G1/2"	66.5	106.5	48.0
SPU225-04A	G1/2"	66.5	106.5	48.0
PU225-06A	G3/4"	72.0	113.0	58.0
SPU225-06A	G3/4"	72.0	113.0	58.0
PU225-08A	G1"	96.0	121.0	70.0
SPU225-08A	G1"	96.0	121.0	70.0
PU225-12A	G1/4"	128.0	145.5	96.0
SPU225-12A	G1/4"	128.0	145.5	96.0
PU225-14A	G1/2"	128.0	145.5	96.0
SPU225-14A	G1/2"	128.0	145.5	96.0
PU225-20A	G2"	161.0	160.5	112.0

PU 225 Series Solenoid Valve(Steam Type)



Ordering Code

**PU** **225** - **03** - **S** **AC110V**

**Specification Code**  
PU: Two-position two-way solenoid valve

**Motion Pattern**  
225: Guide Type

**Port Size**  
03: G3/8"  
04: G1/2"  
06: G3/4"  
08: G1"

**Initial Estate**  
S: Steam Type

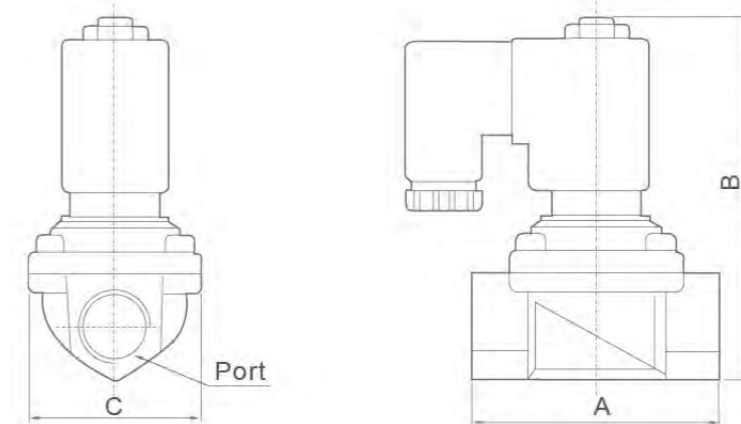
**Standard Voltage**  
AC230V  
AC110V  
DC12V  
DC24V



Specification

Model	PU225-03S	PU225-04S	PU225-06S	PU225-08S
Working Medium	Air, Water, Oil			
Motion Pattern	Guide Type			
Type	Normal Close Type			
Aperture of Flow Rate(mm)	13	13	25	25
CV Value	4.50	4.50	12.00	12.00
Port Size	G3/8"	G1/2"	G3/4"	G1"
Operation Fluid Viscosity	50 CST			
Working-pressure	0.05~1.0MPa			
Max. Pressure Resistance	1.5MPa			
Operating Temperature Range	-10~+185℃			

Overall Dimensions



Dimension Sheet

Model	Port	A	B	C
PU225-03S	G3/8"	65	121	48
PU225-04S	G1/2"	65	121	48
PU225-06S	G3/4"	97	152	70
PU225-08S	G1"	97	152	70



### VX Series 2/2 Solenoid Valve



Ordering Code

**VX2120** — **08** — **AC220V**

Specification Code      Port Size      Standard Voltage

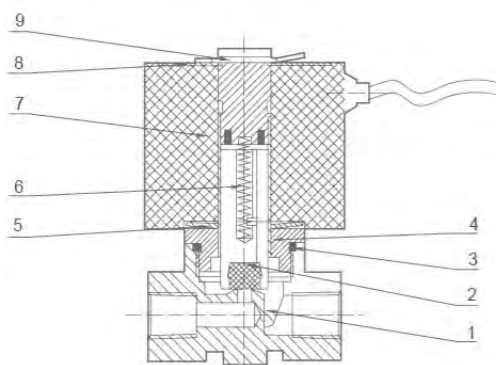
06:G1/8"      DC12V DC24V  
 08:G1/4"      AC24V 50Hz/60Hz  
 10:G3/8"      AC110V 50Hz/60Hz  
 15:G1/2"      AC220V 50Hz/60Hz  
 AC380V 50Hz/60Hz



Specification

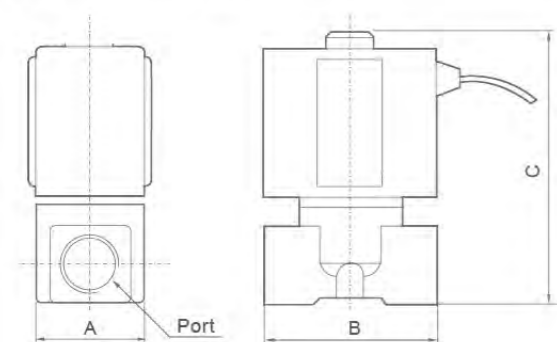
Model	VX2120-06	VX2120-08	VX2120-10	VX2120-15
Working Medium	Air, Water, Steam			
Motion Pattern	Direct Drive Type			
Type	Normal Close Type			
Working-pressure	0~1.0MPa			
Aperture of Flow Rate(mm)	3		10	13
Port Size	G1/8"	G1/4"	G3/8"	G1/2"
Operating Temperature Range	-5~+150℃		-5~+80℃	
Material of Oil Seal	VITON		NBR	

Internal structure



No	Name
1	Body Of Valve
2	Assembly Of Iron Core
3	O-ring
4	Assembly Of Iron Core
5	Spring
6	Spring
7	Coil
8	Name Plate
9	Clip

Overall Dimensions



Dimension Sheet

Model	Port	A	B	C
VX2120-06	G1/8"	26	40	66
VX2120-08	G1/4"	26	40	66
VX2120-10	G3/8"	40	48	80
VX2120-15	G1/2"	47	66	88

### VXF Series Solenoid Valve

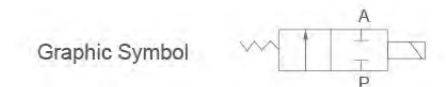


Ordering Code

**VXF2150** — **06** — **AC220V** —

Specification Code      Port Size      Standard Voltage      Wiring Form

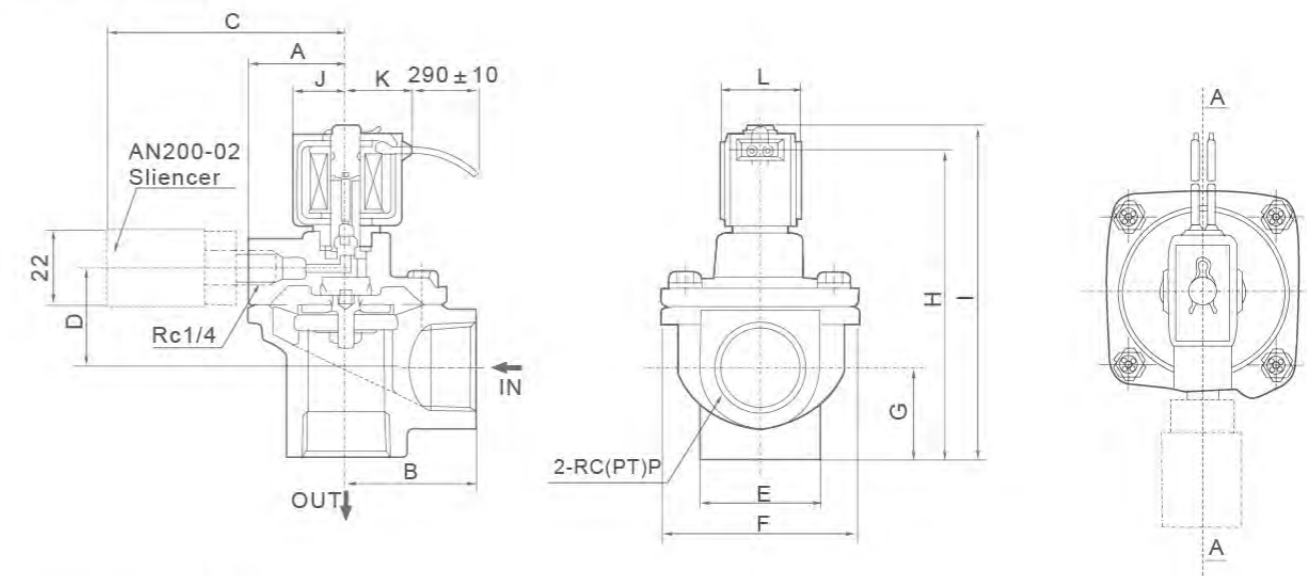
06:G3/4"      DC12V DC24V      Blank:Lead  
 10:G1"      AC24V 50Hz/60Hz      Wire Type  
 14:G1 1/2"      AC36V 50Hz/60Hz      D:Joint  
                  AC110V 50Hz/60Hz      Connector  
                  AC220V 50Hz/60Hz  
                  AC380V 50Hz/60Hz



Specification

Model	VXF2150-06	VX2160-10	VX2280-14
Port Size	G3/4"	G1"	G1 1/2"
Max. Operating Differential Pressure	1.0MPa		
Min.Operating Differential Pressure	0.031MPa		
Section (mm)	20	27	40
Effective Area of Section	170	330	810
CV Value	9.5	18.5	45
Exhaust Orifice	Rc(PT)1/4		

Overall Dimensions



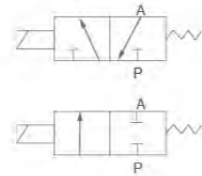
Dimension Sheet

Model	A	B	C	D	E	F	G	H	I	J	K	L	P
VXF2150	33	40	85	32.5	36	66	25	103	110	20	23	30	G3/4"
VXF2160	37	48	89	38	45	74	33.5	118	125	20	23	30	G1
VXF2280	28	68	81	58	110	110	62.5	174	184	23	25	35	G1-1/2"

**XC22/23 Series Solenoid Valve**



Graphic Symbol



Ordering Code

**XC**      **23**      —      **06**      —      **AC220V**

**Factory Code**      **The Position counting**      **Port Size**      **Standard Voltage**

22:Two position two way  
23:Two position three way

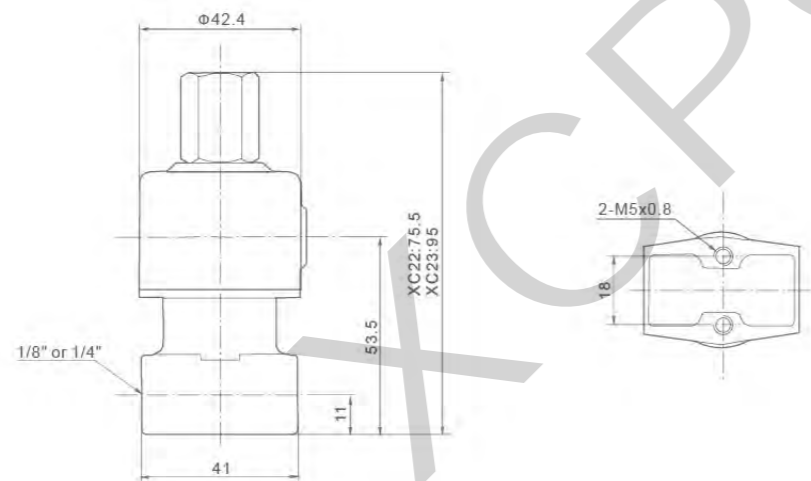
06:G1/8"  
08:G1/4"

DC12V DC24V  
AC24V 50/60Hz  
AC36V 50/60Hz  
AC110V 50/60Hz  
AC220V 50/60Hz  
AC380V 50/60Hz

Specification

Model	XC22-06	XC22-08	XC23-06	XC23-08
Working Medium	Air, Water, Oil			
Aperture of Flow Rate(mm)	1.6	2.4	3.2	4.0
CV Value	0.10	0.21	0.33	0.43
Port size	G1/8"		G1/4"	
Working-pressure Range	0~1.5	0~1.0	0~0.7	0~0.5
Voltage Range	±10%			
Material of oil seal	NBR or VITON			

Overall Dimensions



**XC5404 Series High Pressure,High Temperature Solenoid Valve**



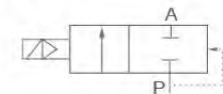
Ordering Code

**XC**      **5404**      —      **04**      —      **AC220V**      —      □

**Factory Code**      **Model**      **Port Size**      **Standard Voltage**      **Wiring Form**

02:G1/4"      DC12V DC24V      Blank:Lead Wire Type  
04:G1/2"      AC24V 50/60Hz      D:Joint Connector  
06:G3/4"      AC36V 50/60Hz  
08:G1"      AC110V 50/60Hz  
AC220V 50/60Hz  
AC380V 50/60Hz

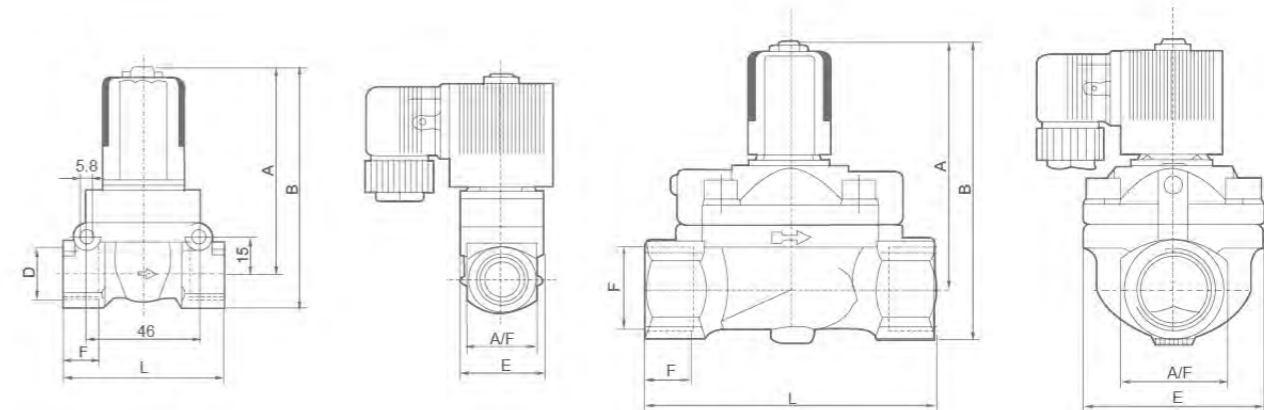
Graphic Symbol



Specification

Model	XC5404-04	XC5404-06	XC5404-08
Working Medium	Air, Water, Oil		
Motion Pattern	Guide Type		
Type	Normal Close Type		
Aperture of Flow Rate(mm)	12	25	25
KV Value	2.0	5.0	10.0
Joint Pipe Bore	G1/2"	G3/4"	G1"
Working-pressure(kgf/cm <sup>2</sup> )	Gas:1~50,Liquid:1~50	Gas:1~40,Liquid:1~25	Gas:1~40, Liquid:1~25
Max. Pressure Resistance(kgf/cm <sup>2</sup> )	75	60	
Operating Temperature Range( C )	-5~+150℃		
Voltage Range	±10%		
Protect Class	IP65		
Power Consumption	AC:5.5VA DC:9W		
Insulation	F Class		
Material of Body	Brass		
Material of Oil Seal	PTFE		

Overall Dimensions



Dimension Sheet

Model	Bore(mm)	Port	A	B	F	E	L	A/F
XC5404-04	12.0	G1/2"	83.0	98	14	32	63	27
XC5404-06	20.0	G3/4"	99.5	125	16	60	92	40
XC5404-08	25.0	G1"	99.5	125	16	60	92	40

### XC6213 Series Diaphragm Type Solenoid Valve



Ordering Code

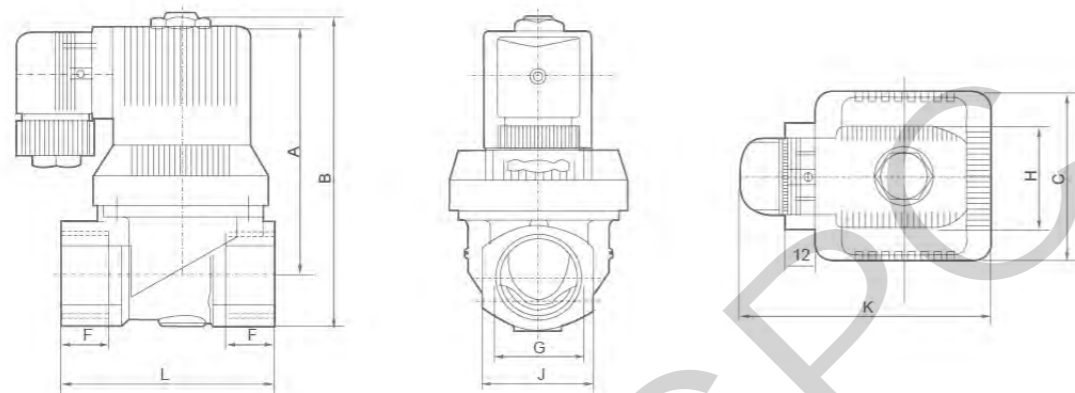
XC	6213	04	—	AC220V	□
Factory Code	Model	Port Size	Standard Voltage	Wiring Form	
		02:G1/4"	DC12V	Blank:Lead Wire Type	
		03:G3/8"	DC24V	D:Joint Connector	
		04:G1/2"	AC36V 50/60Hz		
		06:G3/4"	AC24V 50/60Hz		
		08:G1"	AC110V 50/60Hz		
			AC220V 50/60Hz		
			AC380V 50/60Hz		



Specification

Model	XC6213-02	XC6213-03	XC6213-04	XC6213-04	XC6213-06	XC6213-06	XC6213-08
Inside Nominal Diameter(mm)	10		14		25		
Port Size	G1/4"	G3/8"	G1/2"	G1/2"	G3/4"	G3/4"	G1"
Working Pressure(MPa)	0.03~1.0						
Environment Temperature(°C)	-10~+55						
Medium Temperature(°C)	-10~+90						
Kv Value(m³/h)	2		3.6	8.3	8.3	11	11
Power AC(VA)	14						
Consumptin DC(W)	8						
Change Frequency(Hz)	≥1			≥0.5			
Power/Voltage	AC: 50Hz 24V,36V,110V,220V, DC:24V,12V						

Overall Dimensions



Dimension Sheet

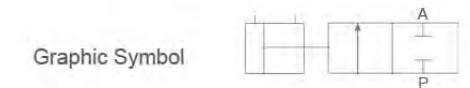
Model	G	C	F	L	J	A	B	H	K
XC6213-02	G1/4"	38	14	50	26	71	85	35	71
XC6213-03	G3/8"	38	14	50	26	71	85	35	71
XC6213-04	G1/2"	38	14	50	26	71	85	35	71
XC6213-04	G1/2"	45	16	58	31	82	96	35	80
XC6213-06	G3/4"	45	16	58	31	82	96	35	80
XC6213-06	G3/4"	65	18	80.5	41	96	117	35	90
XC6213-08	G1"	65	18	80.5	41	96	117	35	90

### 2Q Series Air Control Two-Way Valve



Ordering Code

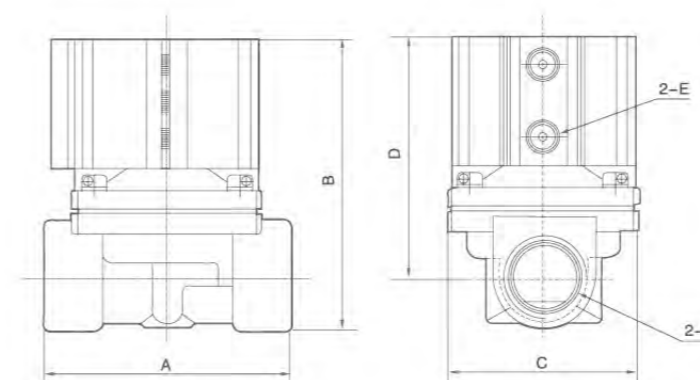
2Q	—	200	—	25
Specification Code	Aperture of Flow Rate	Port Size		
2Q:Two-position two-way Air Control valve	160:16mm 200:22mm 250:25mm 350:35mm 400:40mm 500:50mm	15:G1/2" 20:G3/4" 25:G1" 35:G1 1/4" 40:G1 1/2" 50:G2"		



Specification

Model	2Q160-15	2Q200-20	2Q250-25	2Q350-35	2Q400-40	2Q500-50
Working Medium	Air, Water, Oil, Gas					
Motion Pattern	Direct Drive					
Aperture of Flow Rate(mm)	16	20	25	35	40	50
CV Value	4.8	12	7.6	24	29	48
Joint Pipe Bore	G1/2"	G3/4"	G1"	G1-1/4"	G1-1/2"	G2"
Operation Fluid Viscosity	50 CST(Below)					
Working-pressure Range	0~0.7Mpa					
Max. Pressure Resistance	1.05Mpa					
Control Pressure Range	0.3~0.6Mpa					
Operating Temperature Range	-5~100°C					
Material of Body	Brass					
Material of Oil Seal	PTFE					
Control Joint Pipe Bore	2-M5	2-G1/8"	2-G1/8"	2-G1/4"	2-G1/4"	2-G1/4"

Overall Dimensions



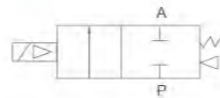
Dimension Sheet

Model	A	B	C	D	E	F
2Q160-15	67	89	57	75	M5	G1/2"
2Q200-20	99	116	57	95	G1/8"	G3/4"
2Q250-25	99	116	57	95	G1/8"	G1"
2Q350-35	127	123	93	97	G1/4"	G1-1/4"
2Q400-40	123	146	95	116	G1/4"	G1-1/2"
2Q500-50	170	155	118	114	G1/4"	G2"

SLP Series 2/2 Solenoid Valve(Normal Close)



Graphic Symbol



Ordering Code

<b>SLP</b>	<b>06</b>		<b>E2</b>	<b>3L</b>	<b>S1</b>	<b>H</b>
<b>SLP Series</b>	<b>Port Size</b>	<b>Seal Material</b>	<b>Voltage</b>	<b>Orifice(mm)</b>	<b>Body material</b>	<b>Control style</b>
	06: G1/8" 08: G1/4" 10: G3/8" 15: G1/2" 20: G3/4" 25: G1" 35: G1-1/4" 40: G1-1/2" 50: G2" F: Flange	Blank: NBR V: VITON E: EPDM	E1: AC110V E2: AC220V E3: AC380V E4: DC24V E5: DC12V E6: AC36V E7: AC24V E8: DC110V E9: DC48V E10: DC36V	1L: 1.0 1.5L: 1.5 2.5L: 2.5 3L: 3.0 4L: 4.0 5L: 5.0 6L: 6.0 10L: 10.0 10.5L: 10.5 13L: 13.0 20L: 20.0 25L: 25.0 35L: 35.0 40L: 40.0 50L: 50.0	Blank: Brass S1: SS316	Blank: Normal close H: Normal open

- SLP series, 2 port, 2 position, 1/8" port size, NBR Seal, AC110V, Orifice: 3mm, Brass valve body, normal close, model: SLP06E1-3L
- SLP series, 2 port, 2 position, 3/8" port size, VITON Seal, AC220V, Orifice: 13mm, SS316 valve body, normal open, model: SLP10VE2-13LS1H

Product Features

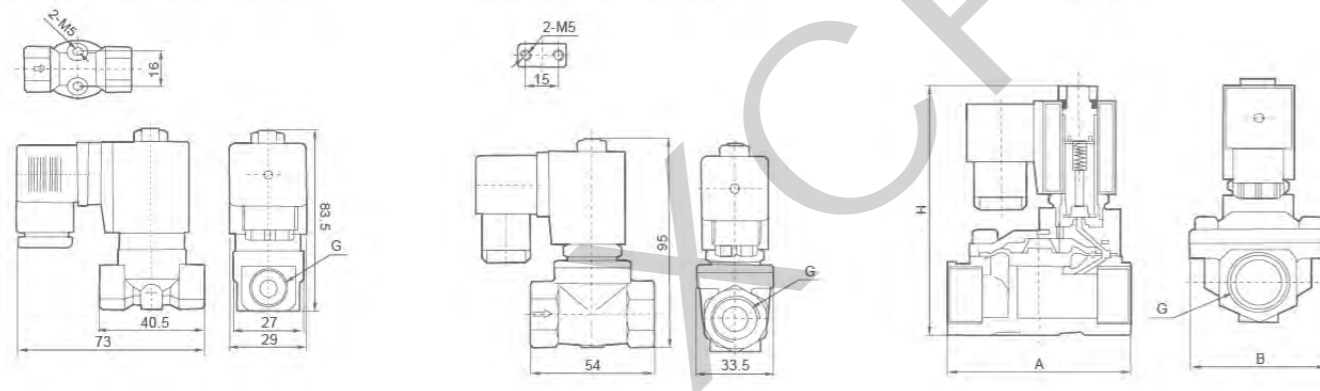
- Normal Close, available body: brass, SS316.
- Multiple seals are available for different medium.
- Wide size range from 1/8" to 2" with both thread and flange connection.
- Diaphragm pilot solenoid valve, with lower working pressure.

Overall Dimensions

Φ3mm, Φ4mm, G1/8", G1/4", G3/8"

Φ10.5mm, G1/4", G3/8", G1/2"

big orifice



SLP Series 2/2 Solenoid Valve(Normal Close)

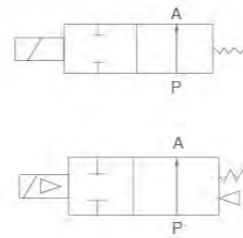
Specification

Port size (G)	Orifice (mm)	CV value	Pressure difference(Bar)					Max. temperature (°C)	Power		Model		Overall dimension Length × Width × Height A × B × H(mm)
			Min. pressure	Max. working pressure			AC 220		DC 24V	220VAC	50/60Hz		
				Air	Gas	Water, Hot Liquid						Brass	
1/8"	3	0.23	0	13	13	10	80	22	13	SLP06E2-3L	SLP06E2-3LS1		
	3	0.23	0	13	13	-	130	22	13	SLP06EE2-3L	SLP06EE2-3LS1		
	3	0.23	0	13	13	10	120	22	13	SLP06VE2-3L	SLP06VE2-3LS1		
1/4"	3	0.23	0	13	13	10	80	22	13	SLP08E2-3L	SLP08E2-3LS1		
	3	0.23	0	13	13	-	130	22	13	SLP08EE2-3L	SLP08EE2-3LS1		
	3	0.23	0	13	13	10	120	22	13	SLP08VE2-3L	SLP08VE2-3LS1		
	10.5	1.47	0	10	10	10	80	22	13	SLP08E2-10.5L	-		
	10.5	1.47	0	10	10	-	130	22	13	SLP08EE2-10.5L	-		
	10.5	1.47	0	10	10	10	120	22	13	SLP08VE2-10.5L	-		
3/8"	3	0.3	0	13	13	10	80	22	13	SLP10E2-3L	SLP10E2-3LS1		
	3	0.3	0	13	13	10	120	22	13	SLP10EE2-3L	SLP10EE2-3LS1		
	3	0.3	0	13	13	10	120	22	13	SLP10VE2-3L	SLP10VE2-3LS1		
	4	0.6	0	8	8	6	80	22	13	SLP10E2-4L	SLP10E2-4LS1		
	4	0.6	0	8	8	6	130	22	13	SLP10EE2-4L	SLP10EE2-4LS1		
	4	0.6	0	8	8	6	120	22	13	SLP10VE2-4L	SLP10VE2-4LS1		
	10.5	1.68	0	10	10	10	80	22	13	SLP10E2-10.5L	-		
	10.5	1.68	0	10	10	-	130	22	13	SLP10EE2-10.5L	-		
	10.5	1.68	0	10	10	10	120	22	13	SLP10VE2-10.5L	-		
	13	4.5	0.5	16	16	13	80	22	13	SLP10E2-13L	SLP10E2-13LS1		
	13	4.5	0.5	16	16	-	130	22	13	SLP10EE2-13L	SLP10EE2-13LS1		
	13	4.5	0.5	16	16	13	120	22	13	SLP10VE2-13L	SLP10VE2-13LS1		
1/2"	10.5	1.75	0	10	10	10	80	22	13	SLP15E2-10.5L	-	66×48×112	
	10.5	1.75	0	10	10	-	130	22	13	SLP15EE2-10.5L	-	66×48×112	
	10.5	1.75	0	10	10	10	120	22	13	SLP15VE2-10.5L	-	66×48×112	
	13	4.5	0.5	16	16	13	80	22	13	SLP15E2-13L	SLP15E2-13LS1	66×48×112	
	13	4.5	0.5	16	16	-	130	22	13	SLP15EE2-13L	SLP15EE2-13LS1	66×48×112	
	13	4.5	0.5	16	16	13	120	22	13	SLP15VE2-13L	SLP15VE2-13LS1	66×48×112	
	20	7.6	0.5	16	16	13	80	22	13	SLP-20E2	SLP-20E2S1	75×58×118	
	20	7.6	0.5	16	16	-	130	22	13	SLP-20EE2	SLP-20EE2S1	75×58×118	
	20	7.6	0.5	16	16	13	120	22	13	SLP-20VE2	SLP-20VE2S1	75×58×118	
	25	12	0.5	16	16	13	80	22	13	SLP-25E2	SLP-25E2S1	96×70×131	
	25	12	0.5	16	16	-	130	22	13	SLP-25EE2	SLP-25EE2S1	96×70×131	
	25	12	0.5	16	16	13	120	22	13	SLP-25VE2	SLP-25VE2S1	96×70×131	
1-1/4"	35	22	0.5	16	16	13	80	22	13	SLP-35E2	SLP-35E2S1	131×96×146	
	35	22	0.5	16	16	-	130	22	13	SLP-35EE2	SLP-35EE2S1	131×96×146	
	35	22	0.5	16	16	13	120	22	13	SLP-35VE2	SLP-35VE2S1	131×96×146	
1-1/2"	40	30	0.5	16	16	13	80	22	13	SLP-40E2	SLP-40E2S1	131×96×146	
	40	30	0.5	16	16	-	130	22	13	SLP-40EE2	SLP-40EE2S1	131×96×146	
	40	30	0.5	16	16	13	120	22	13	SLP-40VE2	SLP-40VE2S1	131×96×146	
2"	50	48	0.5	16	16	13	80	22	13	SLP-50E2	SLP-50E2	165×120×167	
	50	48	0.5	16	16	-	130	22	13	SLP-50EE2	SLP-50EE2	165×120×167	
	50	48	0.5	16	16	13	120	22	13	SLP-50VE2	SLP-50VE2	165×120×167	
Flange connection	25	12	0.5	16	16	13	80	80	13	-	SLPFE2-25LS1	134×110×160	
	25	12	0.5	16	16	-	130	130	13	-	SLPFEE2-25LS1	134×110×160	
Flange connection	25	12	0.5	16	16	13	120	120	13	-	SLPPFVE-25LS1	134×110×160	
	35	22	0.5	16	16	13	80	22	13	-	SLPFE2-35LS1	160×135×175	
Flange connection	35	22	0.5	16	16	-	130	22	13	-	SLPFEE2-35LS1	160×135×175	
	35	22	0.5	16	16	13	120	22	13	-	SLPPFVE2-35LS1	160×135×175	
Flange connection	40	30	0.5	16	16	13	80	22	13	-	SLPFE2-40LS1	160×145×180	
	40	30	0.5	16	16	-	130	22	13	-	SLPFEE2-40LS1	160×145×180	
Flange connection	40	30	0.5	16	16	13	120	22	13	-	SLPPFVE2-40LS1	160×145×180	
	50	48	0.5	16	16	13	80	22	22	-	SLPFE2-50LS1	200×160×207	
Flange connection	50	48	0.5	16	16	-	130	22	22	-	SLPFEE2-50LS1	200×160×207	
	50	48	0.5	16	16	13	120	22	22	-	SLPPFVE2-50LS1	200×160×207	

SLP Series 2/2 Solenoid Valve(Normal Open)



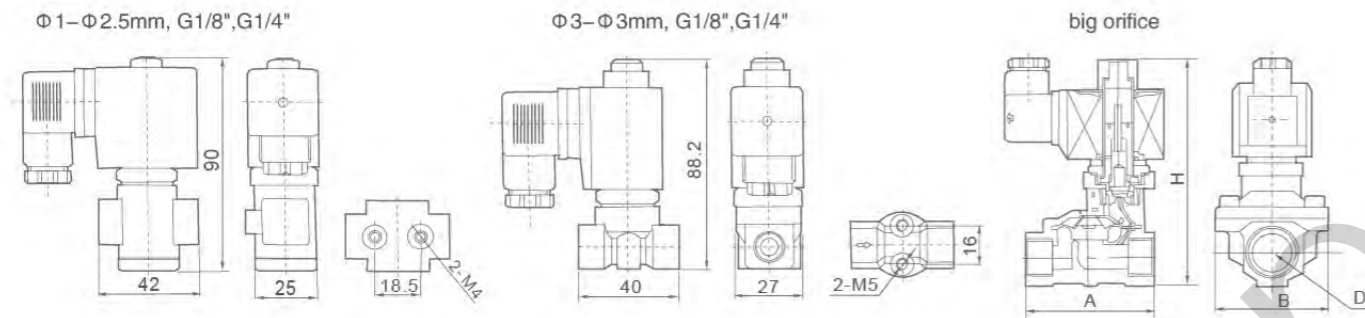
Graphic Symbol



Product Features

- Normal open, available body: brass, SS316
- Multiple seals are available for different medium
- Wide size range from 1/8" to 2", with both thread and flange connection
- Diaphragm pilot solenoid valve, with lower working pressure

Overall Dimensions



Specification

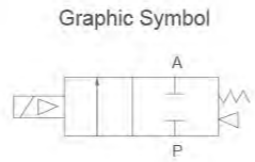
Port size (G)	Orifice (mm)	CV value	Pressure difference(Bar)				Max. temperature (°C)	Power		Model	
			Min. pressure	Max. working pressure				VA AC 220	W DC 24V	Brass	Stainless steel
				Air	Gas	Water, Hot water, Liquid					
1/8"	1	0.04	0	30	30	25	80	22	13	SLP06E2-1LH	SLP06E2-1LS1H
	1	0.04	0	30	30	-	130	22	13	SLP06EE2-1LH	SLP06EE2-1LS1H
	1	0.04	0	30	30	25	120	22	13	SLP06VE2-1LH	SLP06VE2-1LS1H
	1.5	0.09	0	20	20	15	80	22	13	SLP06E2-1.5LH	SLP06E2-1.5LS1H
	1.5	0.09	0	20	20	-	130	22	13	SLP06EE2-1.5LH	SLP06EE2-1.5LS1H
	1.5	0.09	0	20	20	15	120	22	13	SLP06VE2-1.5LH	SLP06VE2-1.5LS1H
	2.5	0.2	0	15	15	12	80	22	13	SLP06E2-2.5LH	SLP06E2-2.5LS1H
	2.5	0.2	0	15	15	-	130	22	13	SLP06EE2-2.5LH	SLP06EE2-2.5LS1H
	2.5	0.2	0	15	15	12	120	22	13	SLP06VE2-2.5LH	SLP06VE2-2.5LS1H
	3	0.25	0	12	12	10	80	22	13	SLP06E2-3LH	SLP06E2-3LS1H
	3	0.25	0	12	12	-	130	22	13	SLP06EE2-3LH	SLP06EE2-3LS1H
	3	0.25	0	12	12	10	120	22	13	SLP06VE2-3LH	SLP06VE2-3LS1H

SLP Series 2/2 Solenoid Valve(Normal Open)

Specification

Port size (G)	Orifice (mm)	CV value	Pressure difference(Bar)				Max. temperature (°C)	Power		Model		Overall dimension Length × Width × Height A × B × H(mm)
			Min. pressure	Max. working pressure				VA AC 220	W DC 24V	Brass	Stainless steel	
				Air	Gas	Water, Hot water, Liquid						
1/4"	1	0.04	0	30	30	25	80	22	13	SLP08E2-1LH	SLP08E2-1LS1H	66×48×124
	1	0.04	0	30	30	-	130	22	13	SLP08EE2-1LH	SLP08EE2-1LS1H	
	1	0.04	0	30	30	25	120	22	13	SLP08VE2-1LH	SLP08VE2-1LS1H	
	1.5	0.09	0	20	20	15	80	22	13	SLP08E2-1.5LH	SLP08E2-1.5LS1H	
	1.5	0.09	0	20	20	-	130	22	13	SLP08EE2-1.5LH	SLP08EE2-1.5LS1H	
	1.5	0.09	0	20	20	15	120	22	13	SLP08VE2-1.5LH	SLP08VE2-1.5LS1H	
	2.5	0.2	0	15	15	12	80	22	13	SLP08E2-2.5LH	SLP08E2-2.5LS1H	
	2.5	0.2	0	15	15	-	130	22	13	SLP08EE2-2.5LH	SLP08EE2-2.5LS1H	
	2.5	0.2	0	15	15	12	120	22	13	SLP08VE2-2.5LH	SLP08VE2-2.5LS1H	
	3	0.25	0	12	12	10	80	22	13	SLP08E2-3LH	SLP08E2-3LS1H	
	3	0.25	0	12	12	-	130	22	13	SLP08EE2-3LH	SLP08EE2-3LS1H	
	3	0.25	0	12	12	10	120	22	13	SLP08VE2-3LH	SLP08VE2-3LS1H	
3/8"	13	4.5	0.5	8	8	7	80	33	32	SLP10E2-13LH	SLP10E2-13LS1H	66×48×124
	13	4.5	0.5	8	8	-	120	33	32	SLP10EE2-13LH	SLP10EE2-13LS1H	
	13	4.5	0.5	8	8	7	120	33	32	SLP10VE2-13LH	SLP10VE2-13LS1H	
1/2"	13	4.5	0.5	8	8	7	80	33	32	SLP15E2-13LH	SLP15E2-13LS1H	66×48×124
	13	4.5	0.5	8	8	-	120	33	32	SLP15EE2-13LH	SLP15EE2-13LS1H	
	13	4.5	0.5	8	8	7	120	33	32	SLP15VE2-13LH	SLP15VE2-13LS1H	
3/4"	20	7.6	0.5	8	8	7	80	33	32	SLP-20E2H	SLP-20E2S1H	75×58×130
	20	7.6	0.5	8	8	-	120	33	32	SLP-20EE2H	SLP-20EE2S1H	
	20	7.6	0.5	8	8	7	120	33	32	SLP-20VE2H	SLP-20VE2S1H	
1"	25	12	0.5	8	8	7	80	33	32	SLP-25E2H	SLP-25E2S1H	96×70×143
	25	12	0.5	8	8	-	120	33	32	SLP-25EE2H	SLP-25EE2S1H	
	25	12	0.5	8	8	7	120	33	32	SLP-25VE2H	SLP-25VE2S1H	
1-1/4"	35	22	0.5	8	8	7	80	33	32	SLP-35E2H	SLP-35E2S1H	131×96×158
	35	22	0.5	8	8	-	120	33	32	SLP-35EE2H	SLP-35EE2S1H	
	35	22	0.5	8	8	7	120	33	32	SLP-35VE2H	SLP-35VE2S1H	
1-1/2"	40	30	0.5	8	8	7	80	33	32	SLP-40E2H	SLP-40E2S1H	131×96×158
	40	30	0.5	8	8	-	120	33	32	SLP-40EE2H	SLP-40EE2S1H	
	40	30	0.5	8	8	7	120	33	32	SLP-40VE2H	SLP-40VE2S1H	
2"	50	48	0.5	8	8	7	80	33	32	SLP-50E2H	SLP-50E2S1H	165×120×179
	50	48	0.5	8	8	-	120	33	32	SLP-50EE2H	SLP-50EE2S1H	
	50	48	0.5	8	8	7	120	33	32	SLP-50VE2H	SLP-50VE2S1H	
Flange connection	25	12	0.5	8	8	7	80	33	32		SLPFE2-25LS1H	134×110×172
	25	12	0.5	8	8	-	120	33	32		SLPFEE2-25LS1H	
	25	12	0.5	8	8	7	120	33	32		SLPFVE2-25LS1H	
Flange connection	35	22	0.5	8	8	7	80	33	32		SLPFE2-35LS1H	160×135×187
	35	22	0.5	8	8	-	120	33	32		SLPFEE2-35LS1H	
	35	22	0.5	8	8	7	120	33	32		SLPFVE2-35LS1H	
Flange connection	40	30	0.5	8	8	7	80	33	32		SLPFE2-40LS1H	160×145×192
	40	30	0.5	8	8	-	120	33	32		SLPFEE2-40LS1H	
	40	30	0.5	8	8	7	120	33	32		SLPFVE2-40LS1H	
Flange connection	50	48	0.5	8	8	7	80	33	32		SLPFE2-50LS1H	200×160×219
	50	48	0.5	8	8	-	120	33	32		SLPFEE2-50LS1H	
	50	48	0.5	8	8	7	120	33	32		SLPFVE2-50LS1H	

THP Series 2/2 Solenoid Valve(Normal Close)



Ordering Code

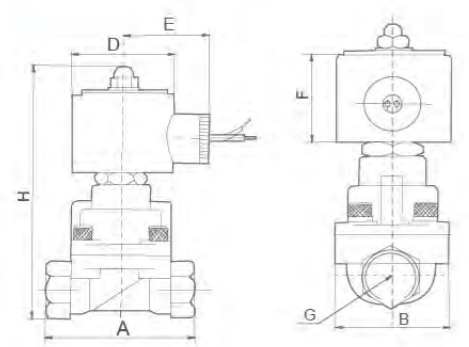
<b>THP</b>	<b>06</b>	<b>E2</b>		<b>2.5L</b>	<b>S2</b>		
<b>THP Series</b>	<b>Port Size</b> 06: G1/8" 08: G1/4" 10: G3/8" 15: G1/2" 20: G3/4" 25: G1" 35: G1-1/4" 40: G1-1/2" 50: G2" 25F: 1" Flange 35F: 1-1/4" Flange 40F: 1-1/2" Flange 50F: 2" Flange	<b>Voltage</b> E1: AC110V E2: AC220V E3: AC380V E4: DC24V E5: DC12V E6: AC36V E7: AC24V E8: DC110V E9: DC48V E10: DC36V	<b>Seal Material</b> T: Teflon V: VITON(N,V,E optional)	<b>Orifice(mm)</b> 2.5L: 2.5 4.5L: 4.5 15L: 15.0 20L: 20.0 25L: 25.0 35L: 35.0 40L: 40.0 50L: 50.0 <i>Cancel if same with port size</i>	<b>Body material</b> Blank: Brass S1: SS316 S2: SS304	<b>Control style</b> Blank: Normal close H: Normal open	<b>Coil type</b> Blank: DIN connector F: Flying leads

- THP series, 2 port, 2 position, 1/8" port size, AC110V, NBR Seal, Orifice: 2.5mm, Brass valve body, normal close, DIN coil, model: THP06E1-2.5L
- THP series, 2 port, 2 position, 3/8" port size, AC220V, teflon Seal, Orifice: 15mm, SS304 valve body, normal open, flying leads coil, model: THP10TE2-15LS2HF

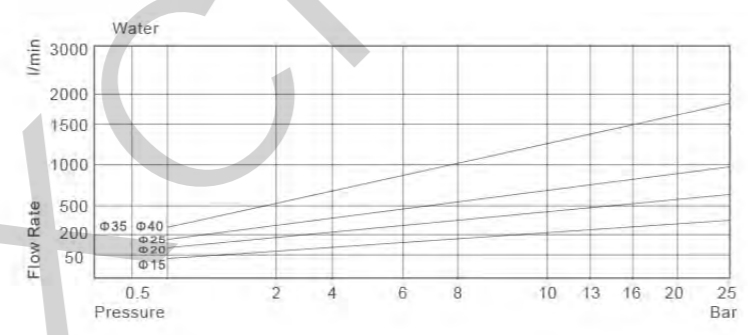
Product Features

- Normal Close, available body: brass, SS304, SS316
- Multiple seals are available for different medium
- Wide size range from 1/8" to 2"
- DIN style / flying leads coil, thread / flange connection
- Piston pilot solenoid valve with high working pressure and temperature

Overall Dimensions



Flow Chart

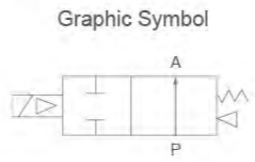


THP Series 2/2 Solenoid Valve(Normal Close)

Specification

Port size (G)	Orifice (mm)	CV value	Pressure difference (Bar)								Max. temperature (°C)	Power		Model 220VAC 50/60Hz		Overall dimension Length x Width x Height A x B x H (mm)
			Min. pressure	Max. working pressure				AC	DC	AC/DC		VA	W	Brass	Stainless steel	
				Air	Gas	Water Liquid	Hot water									
G1/8"	2.5	0.23	0	8	8	8	8	6	6	10	180	22	13	THP06T-2.5L	-	48x25x85.5
	2.5	0.23	0	13	13	13	13	7	7	10	110	22	13	THP06V-2.5L	-	48x25x85.5
	4.5	0.6	0	7	4	7	4	4	4	7	165	22	13	THP06T-4.5L	-	58x25x85.5
G1/4"	2.5	0.23	0	7	4	7	4	4	4	10	180	22	13	THP08T2-2.5L	-	48x25x85.5
	2.5	0.23	0	13	13	13	4	7	7	10	110	22	13	THP08V-2.5L	-	48x25x85.5
	4.5	0.6	0	7	4	7	4	4	4	7	165	22	13	THP08T-4.5L	-	58x25x85.5
G3/8"	15	4.5	0.5	25	20	25	20	20	20		110	33	32	THP10T-15L	THP10T-15LS2	75x52x129
	15	4.5	0.5	25	20	25	20	20	20	10	185	30	25	THP10T-15LF	THP10T-15LS2F	75x52x129
	15	4.5	0.5	25	20	25	20	20	20		110	33	32	THP-15T	THP-15TS2	75x52x129
G1/2"	15	4.5	0.5	25	20	25	20	20	20		110	33	32	THP-15TF	THP-15TS2F	75x52x129
	15	4.5	0.5	25	20	25	20	20	20	10	185	30	25	THP-15T	THP-15TS2	75x52x129
	20	9.0	0.5	25	20	25	20	20	20		110	33	32	THP-20T	THP-20TS2	85x60x141
G3/4"	20	9.0	0.5	25	20	25	20	20	20		110	33	32	THP-20TF	THP-20TS2F	85x60x141
	20	9.0	0.5	25	20	25	20	20	20	10	185	30	25	THP-20T	THP-20TS2	85x60x141
	25	13	0.5	25	20	25	20	20	20		110	33	32	THP-25T	THP-25TS2	100x70x148
G1"	25	13	0.5	25	20	25	20	20	20	10	185	30	25	THP-25TF	THP-25TS2F	100x70x148
	25	13	0.5	25	20	25	20	20	20		110	33	32	THP-25T	THP-25TS2	100x70x148
	35	26	0.5	25	20	25	20	20	20	10	110	33	32	THP-35T	THP-35TS2	120x90x168
G1-1/4"	35	26	0.5	25	20	25	20	20	20		110	33	32	THP-35TF	THP-35TS2F	120x90x168
	35	26	0.5	25	20	25	20	20	20	10	185	30	25	THP-35T	THP-35TS2	120x90x168
	35	26	0.5	25	20	25	20	20	20		110	33	32	THP40T-35L	THP40T-35LS2	120x90x168
G1-1/2"	35	26	0.5	25	20	25	20	20	20	10	185	30	25	THP40T-35LF	THP40T-35LS2F	120x90x168
	35	26	0.5	25	20	25	20	20	20		110	33	32	THP40T-35L	THP40T-35LS2	120x90x168
	50	48	0.5	25	20	25	20	20	20		110	33	32	-	THP-50TS2	150x110x190
G2"	50	48	0.5	25	20	25	20	20	20	10	185	30	25	-	THP-50TS2F	150x110x190
	25	13	0.5	25	20	25	20	20	20		110	33	32	-	THPPFT-25LS2	134x110x185
	25	13	0.5	25	20	25	20	20	20	10	185	30	25	-	THPPFT-25LS2F	134x110x185
G1-1/4" Flange	35	26	0.5	25	20	25	20	20	20		110	33	32	-	THPPFT-35LS2	160x135x200
	35	26	0.5	25	20	25	20	20	20	10	185	30	25	-	THPPFT-35LS2F	160x135x200
	35	26	0.5	25	20	25	20	20	20		110	33	32	-	THPPFT-40LS2	160x145x205
G1-1/2" Flange	35	26	0.5	25	20	25	20	20	20	10	185	30	25	-	THPPFT-40LS2F	160x145x205
	50	45	0.5	25	20	25	20	20	20		110	33	32	-	THPPFT-50LS2	200x155x250
	50	45	0.5	25	20	25	20	20	20	10	185	30	25	-	THPPFT-50LS2F	200x155x250

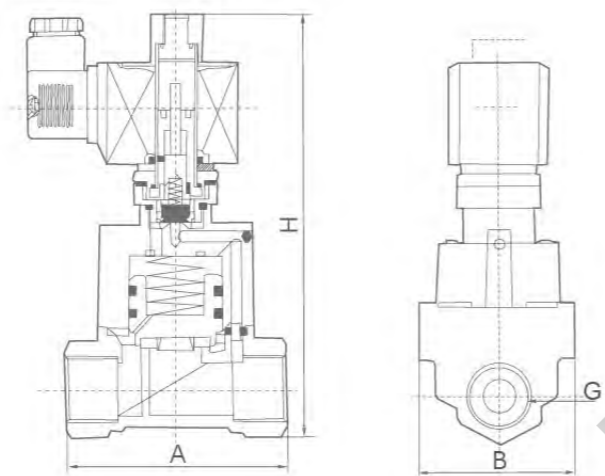
THP Series 2/2 Solenoid Valve(Normal Open)



Product Features

- Normal open, available body: brass, SS304, SS316
- Multiple seals are available for different medium
- Wide size range from 1/8" to 2"
- DIN style / flying leads coil, thread / flange connection
- Piston pilot solenoid valve with high working pressure and temperature

Overall Dimensions



Specification

Port size (G)	Orifice (mm)	CV value	Pressure difference(Bar)						Max. temperature (°C)	Power		Model		Overall dimension Length × Width × Height A × B × H(mm)
			Min. pressure	Max. working pressure				AC 220		DC 24V	Brass	Stainless steel		
				Air	Gas	Water, Liquid	Hot water, ≤20CST						Steam	
3/8"	15	4.5	0.5	8	8	8	8	130	33	32	THP10T-15LH	THP10T-15LS2H	75×52×147	
	15	4.5	0.5	8	8	8	8	130	33	32	THP10T-15LHF	THP10T-15LS2HF	75×52×147	
1/2"	15	4.5	0.5	8	8	8	8	130	33	32	THP-15TH	THP-15TS2H	75×52×147	
	15	4.5	0.5	8	8	8	8	130	33	32	THP-15THF	THP-15TS2HF	75×52×147	
3/4"	20	9	0.5	8	8	8	8	130	33	32	THP-20TH	THP-20TS2H	85×60×159	
	20	9	0.5	8	8	8	8	130	33	32	THP-20T2HF	THP-20TS2HF	85×60×159	
1"	25	13	0.5	8	8	8	8	130	33	32	THP-25TH	THP-25TS2H	100×70×166	
	25	13	0.5	8	8	8	8	130	33	32	THP-25THF	THP-25TS2HF	100×70×166	
1-1/4"	35	26	0.5	6	6	6	6	130	33	32	THP-35TH	THP-35TS2H	120×90×186	
	35	26	0.5	6	6	6	6	130	33	32	THP-35THF	THP-35TS2HF	120×90×186	
1-1/2"	35	26	0.5	6	6	6	6	130	33	32	THP40T-35LH	THP40T-35LS2H	120×90×186	
	35	26	0.5	6	6	6	6	130	33	32	THP40T-35LHF	THP40T-35LS2HF	120×90×186	
1"	25	25	0.5	8	8	8	8	130	33	32	-	THP-25FE2TS2H	134×110×200	
Flange	25	13	0.5	8	8	8	8	130	33	32	-	THP-25FE2TS2HF	134×110×200	
1-1/4"	35	26	0.5	6	6	6	6	130	33	32	-	THP-35FE2TS2H	160×134×215	
Flange	35	26	0.5	6	6	6	6	130	33	32	-	THP-35FE2TS2HF	160×134×215	
1-1/2"	40	26	0.5	6	6	6	6	130	33	32	-	THP-40FE2TS2H	160×145×200	
Flange	40	26	0.6	6	6	6	6	130	33	32	-	THP-40FE2TS2HF	160×145×200	

XPT Series Electronic-drain Valve



Product Features

The electronic-drain valve is made of solid state electronic time-setting and solenoid valve, which can make the compress condensates water drain automatically. It is widely used in filter drier, oil/water separator, refrigerant compressed air drying machine, drying machine, air compressor drip-feet, and so on. The time of drain and interval can be adjustable according to different needs.

Specification

Model	XPT, XPT-A, XPT-B
Various pressure can be provided	1.6MPa, 4.0MPa, 8.0MPa
Various electric voltages can be provided	AC220V, AC110V, DC24V
Variety connects can be provided	G1/4", G3/8", G1/2" female thread
Interval	(OFF) 0.5~45 Minutes
Drain time	(ON) 0.5~10 Second
Manual test button	TEST
Protection grade	IP65
Insulate grade	H class(Max/temp:180°C)

- It can substitute for the expensive process valve;
- Only one type applies all applications;
- It can be installed simply, full-automatically, without maintenance;
- Sieve of ball valve can be mached

### XMZ Series Right Angle Pulse Valve



Ordering Code

**X** **MF** **Z** - **25** - **P** **EX**

**X** XCPC Product  
**MF** Pulse Valve  
**Z** Type Code  
 Z: Solenoid Control  
 Q: Pneumatic Control  
**25** Orifice Size  
**P** Thread Type  
 Blank: Normal  
 Thread Type  
 A: Thread Type+ Insert pipe  
 P: Thread Type  
 S: Double Diaphragms  
 J: Thread Type (Economy Type)  
**EX** Wiring Form  
 Blank: Normal Type  
 EX: Ex-proof Type

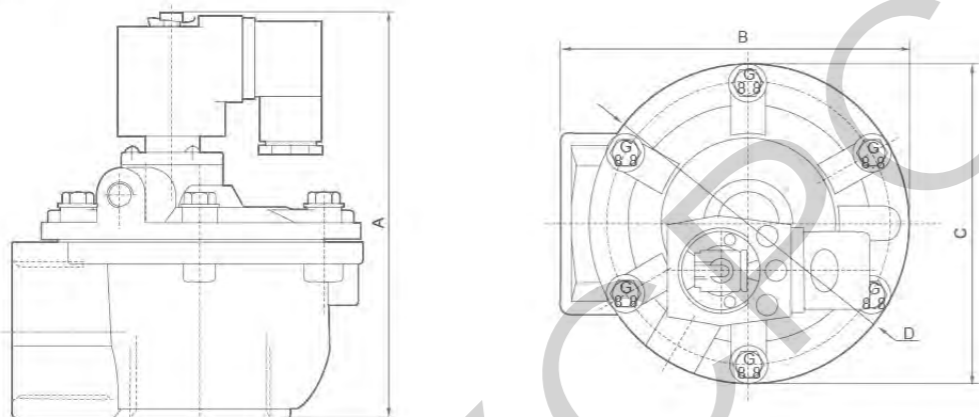
**Speciality**

Adopt international advanced technology.  
 Used for dust remover.  
 Key parts all made of imported materials.  
 Pneumatic control type, solenoid control type, ex-proof solenoid control type for choose.  
 Female thread connection port, easy to be mounted.

Specification

Model	XMZ-Z-20A	XMZ-Z-20P	XMZ-Z-20	XMZ-Z-25	XMZ-Z-25P	XMZ-Z-35P	XMZ-Z-40S	XMZ-Z-50S	XMZ-Z-62S	XMZ-Z-76S	XMZ-Z-100S
Working Pressure	0.3~0.8MPa										
Ambient Temperature	-5~55℃										
Relatively Humidity	< 85%										
Working Medium	Clean Air										
Voltage	AC110V/AC220V/DC24V										
Diaphragm Life Cycles	Over 1000k Cycles										
Orifice(mm)	φ20	φ20	φ20	φ25	φ25	φ35	φ40	φ50	φ62	φ76	φ100
Connection Port	G3/4"	G3/4"	G3/4"	G1"	G1"	G1/2"	G1/2"	G2"	G2/2"	G3"	φ100

Overall Dimensions



Dimension Sheet

Model	XMZ-Z-20A	XMZ-Z-20P	XMZ-Z-20	XMZ-Z-25	XMZ-Z-25P	XMZ-Z-35P	XMZ-Z-40S	XMZ-Z-50S	XMZ-Z-62S	XMZ-Z-76S	XMZ-Z-100S
A	173	124	110	110	124	142	166	202	222	245	356.5
B	145	105	90.5	90.5	105	121	132	210	210	230.5	286.5
C	-	82.5	75	75	82.5	-	-	-	-	-	-
D	φ90	-	-	-	-	φ112	φ137	φ185	φ185	φ200	φ221

### XMZY Series In Line Pulse Valve



Ordering Code

**X** **MF** - **Y** - **50** - **S** **EX**

**X** XCPC Product  
**MF** Pulse Jet Valve  
**Y** Type Code  
 Y: Solenoid Control  
 Q: Pneumatic Control  
**50** Orifice  
**S** Double Diaphragms  
**EX** Wiring Form  
 Blank: Normal Type  
 EX: Ex-proof Type

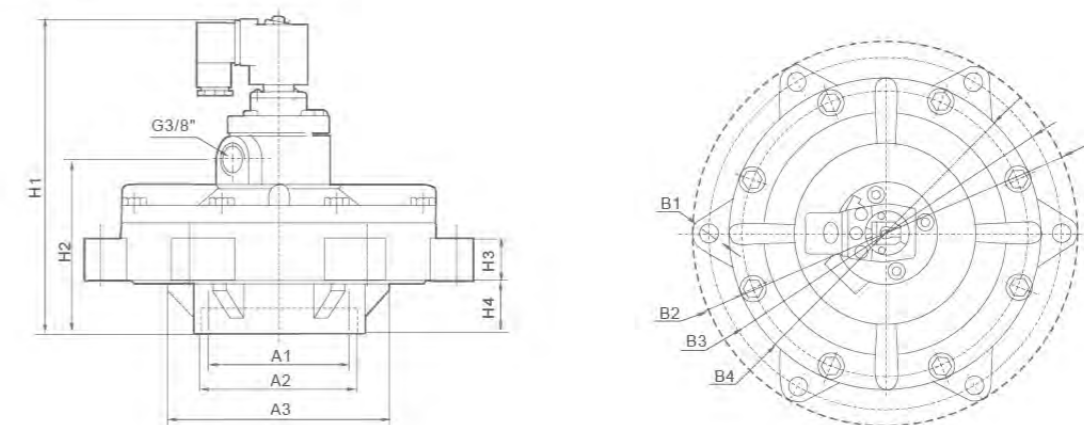
**Speciality**

Adopt international advanced technology  
 Used for dust remover  
 Key parts all made of imported materials  
 Pneumatic control type, solenoid control type, ex-proof solenoid control type for choose  
 Directing mounted to gas bag better blowing effect and small loss of air source.

Specification

Model	XMZY-Y-50S	XMZY-Y-62S	XMZY-Y-76S
Working Pressure	0.3~0.8MPa		
Ambient Temperature	-5~55℃		
Relatively Humidity	< 85%		
Working Medium	Clean Air		
Voltage	AC110V/AC220V/DC24V		
Diaphragm Life Cycles	Over One Million Cycles		
Orifice(mm)	φ50	φ62	φ76
Connection Port	φ65	φ80	φ90

Overall Dimensions



Dimension Sheet

Model	A1	A2	A3	B1	B2	B3	B4	H1	H2	H3	H4
XMZY-Y-50S	φ64.5	φ78.5	φ118	6-φ11.5	φ200	φ180	φ159	187	100	25	31
XMZY-Y-62S	φ80	φ93.5	φ145	6-φ11	φ226	φ204	φ185	197	107	34.5	35
XMZY-Y-76S	φ90	φ99	φ141	6-φ11	φ248	φ227	φ200	205	113	27	34



### XMF Series Insert Pipe Type Pulse Valve



Ordering Code

**X** XCP Product  
**MF** Pulse Jet Valve  
**□** Type Code  
Blank: Solenoid control  
Q: Pneumatic control  
**25** Orifice Solenoid  
**DD** Insert Pipe Type  
**EX** Wiring Form  
Blank: Normal Type  
EX: Ex-proof Type

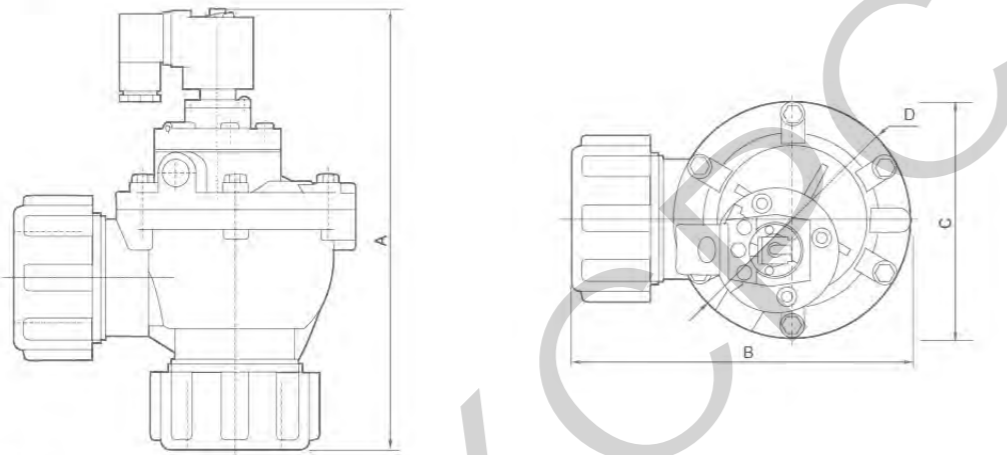
#### Speciality

Adopt international advanced technology  
Used for dust remover  
Key parts all made of imported materials  
Pneumatic control type, solenoid control type, ex-proof solenoid control type for choose.  
Insert pipe style, much easier to be mounted.

#### Specification

Model	XMF-25DD	XMF-45DD
Working Pressure	0.3~0.8MPa	
Ambient Temperature	-5~55℃	
Relatively Humidity	< 85%	
Working Medium	Clean Air	
Voltage	AC110V/AC220V/DC24V	
Diaphragm Life Cycles	Over One Million Cycles	
Orifice(mm)	Φ25	Φ40
Connection Port	Φ35	Φ50

#### Overall Dimensions



#### Dimension Sheet

Model	A	B	C	D
XMF-25DD	189	131	82.5	-
XMF-45DD	237	179.5	-	Φ126

### XCP Series Plastic Actuator Bevel Valve

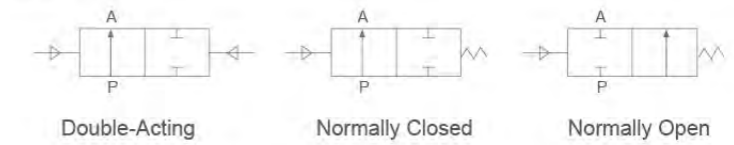


Ordering Code

**XCP** XCP Series Plastic Bevel Valve  
**15** Port Size  
**50** Actuator Size  
**S** Action Type  
**C** Control Function  
**□** Body Material

Series Code: XCP Series Plastic Bevel Valve  
Port Size: 10:G3/8", 15:G1/2", 20:G3/4", 25:G1", 32:G1-1/4", 40:G1-1/2", 50:G2", 65:G2-1/2", 80:G3"  
Actuator Size: 40:40mm, 50:50mm, 63:63mm, 80:80mm, 100:100mm  
Action Type: S:Single Action, D:Double Action  
Control Function: C:Normal Close (Standard), O:Normal Open  
Body Material: Blank::S.S 304 (Standard), 316:S.S 316, 316L:S.S 316L

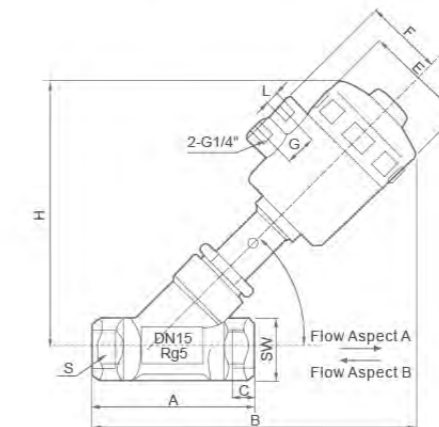
#### Graphic Symbol



#### Specification

Model	10	15	20	25	32	40	50	65	80
Port size	G3/8"	G1/2"	G3/4"	G1"	G1-1/4"	G1-1/2"	G2"	G2-1/2"	G3"
KV Value(m³/h)	3.7	4.2	9	19	33	42	59	90	135
Max.Working Pressure(Mpa)	0~1.6	0~1.6	0~1.1	0~1.1	0~1.5	0~1.25	0~1.0	0~1.6	0~1.6
Min.Pilot Pressure(Mpa)	0.39	0.39	0.39	0.42	0.5	0.44	0.4	0.4	0.4
Actuator	40	50	50	50/63	63	63	63/80	80	100
Medium Temperature	-10~+180℃								
Flow Direction	A(Flow Direction Below The Seat) or B(Flow Direction above The Seat)								

#### Overall Dimensions



#### Dimension Sheet

Orifice Size(mm)	Port size	Actuator Size(Φmm)	A	B	C	ΦE	F	H	S	SW	G	L
10	G3/8"	40	65	142	12	53	30	85	G3/8"	25	20	G1/8"
15	G1/2"	50	76	168	14	64	44	115	G1/2"	28	24	G1/4"
20	G3/4"	50	92	175	16	64	44	131	G3/4"	32	24	G1/4"
25	G1"	63	103	218	21	80	54	166	G1"	39	24	G1/4"
32	G1-1/4"	63	112	228	19	80	54	172	G1-1/4"	49	24	G1/4"
40	G1-1/2"	63	129	232	21	80	54	174	G1-1/2"	56	24	G1/4"
50	G2"	80	143	263	27	100	62	202	G2"	68	24	G1/4"
65	G2-1/2"	80	186	280	28	100	62	209	G2-1/2"	84	24	G1/4"
80	G3"	100	218	355	34	125	71	268	G3"	101	30	G1/4"

### XC Series Stainless Steel Bevel Valve



Ordering Code

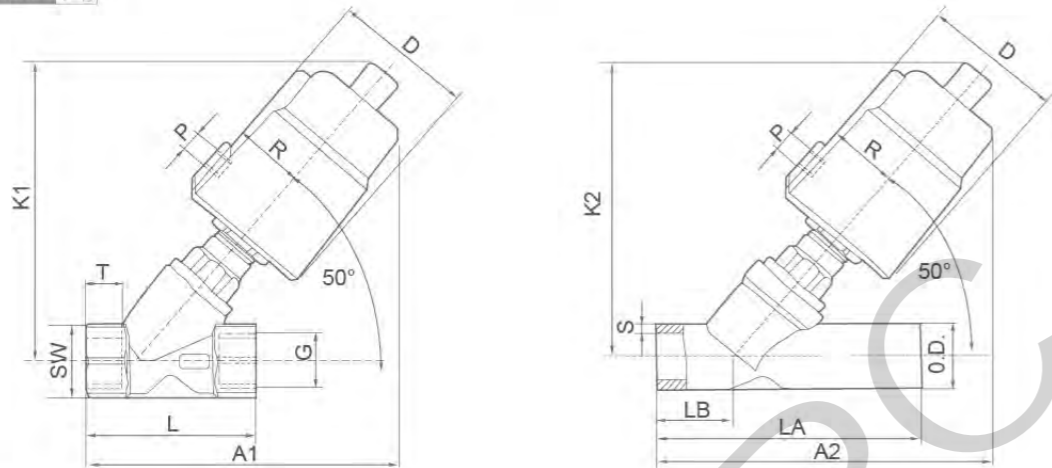
<b>XC</b>	<b>10</b>	<b>40</b>	<b>□</b>	<b>□</b>
<b>Series Code</b>	<b>Port Size</b>	<b>Actuator Size</b>	<b>Type</b>	<b>Body Material</b>
XC Series	10:G3/8"	40:40mm	SC:Single Action	Blank:S.S 304
Stainless Steel	15:G1/2"	50:50mm	Normal Close	(Standard)
Bevel Valve	20:G3/4"	63:63mm	SO:Single Action	316:S.S 316
	25:G1"	90:90mm	Normal Open	316L:S.S 316L
	32:G1-1/4"	100:100mm	DC:Double Action	
	40:G1-1/2"		Normal Close	
	50:G2"		DF:Double Action	
	65:G2-1/2"		Free Installation	
	80:G3"			

Specification

Model	XC10-80SC/SO/DC/DF
Port size	DN10-DN50
Thread	G3/8"-G3"
Welded	DIN11850 2 DIN11850 3 ISO2037
Valve Body	CF8M
Actuator	CF8
Seat seals	PTFE
Stem seals	PTFE/FKM
Piston seals	FKM/NBR

Model	XC10-80SC/SO/DC/DF
Applicable medium	Water,liquid,neutral gas,water steam slight corrosive gas and liquid
Temperature range	PTFE:-10°C to +180°C
Ambient temperature	-10°C to +60°C
Viscosity	max. 600mm <sup>2</sup> /s
Installation	Any position
Controlling medium	Air or neutral gas
Controlling pressure range	0.3~1Mpa

Overall Dimensions



Dimension Sheet

Specification	Actuator (mm)	D	R	P	Thread							Welded					
					G	K1	A1	L	T	SW	O.D.	K2	A2	LA	LB	S	
DN10	40	53	28	G1/8"	G3/8"	105	144	65	12	25	/	/	/	/	/	/	/
DN15	50	56	35	G1/8"	G1/2"	142	182	76	14	28	21	115	142	100	18	3	
DN20	50	56	35	G1/8"	G3/4"	152	189	92	16	32	27	131	170	117	30	3	
DN25	50	56	35	G1/8"	G1"	155	207	103	21	39	34	138	175	130	30	3	
DN25	63	70	43	G1/8"	G1"	176	217	103	21	39	34	166	200	130	30	3	
DN32	63	70	43	G1/8"	G1-1/4"	177	222	112	19	49	42	172	207	145	30	3	
DN40	63	70	43	G1/8"	G1-1/2"	182	225	129	21	56	48	174	207	160	30	4	
DN50	63	70	43	G1/8"	G2"	196	249	143	27	68	60	193	227	190	30	4	
DN50	90	94	56	G1/4"	G2"	206	268	143	27	68	60	202	235	190	30	4	
DN65	90	94	56	G1/4"	G2-1/2"	215	290	186	28	84	76	209	255	230	40	5	
DN80	125	135	73	G1/4"	G3"	295	335	218	34	101	/	/	/	/	/	/	

### XQ22HD Series Right Angle Valve



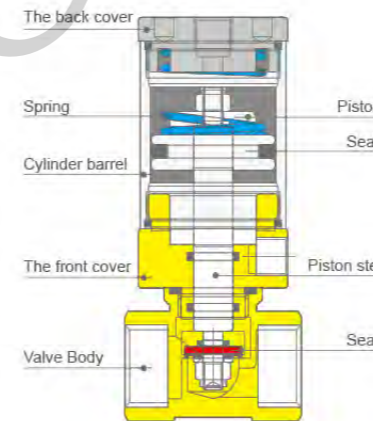
Ordering Code

<b>X</b>	<b>Q</b>	<b>22</b>	<b>HD</b>	<b>□</b>	<b>□</b>	<b>□</b>
<b>XCPC Product</b>	<b>Right angle valve code</b>	<b>Two-position Two-way</b>	<b>Air control liquid valve</b>	<b>Connection Size</b>	<b>Type</b>	<b>Material</b>
				15:G1/2" 20:G3/4" 25:G1" 32:G1/4" 40:G1/2" 50:G2"	S:Single acting type D:Double acting type K:Normally open	Blank: Normal type H: High temperature type

Product Features

Classical design, durable Air control design, energy saving and environmental protection Big flow rate, safety and Precision Can work at low pressure, smartness for on and off, good seal performance. There are two kinds of structure single acting type and double acting type.  
Application: food, medicine, industry, abstersion, landification, printing, etc.  
**Remark: Normally open: Flow comes under the piston seal, against arrow on body.**

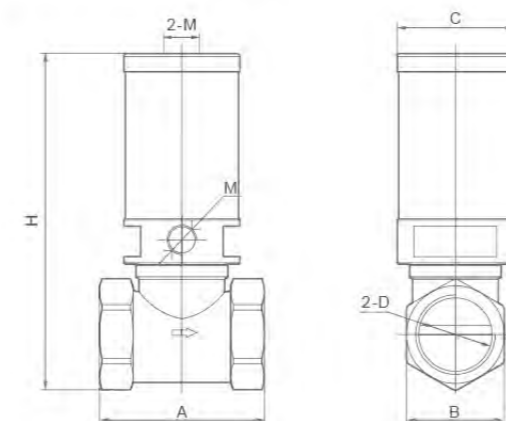
Internal structure



Specification

Model	Orifice	Medium	Working pressure	Temp range	Kv value(m3/k)
XQ22HD-15	15mm	Compress Air Water Oil	0.2~0.6MPa	-5-60°C (High temperature) -5-150°C	4
XQ22HD-20	20mm				5
XQ22HD-25	25mm				10
XQ22HD-32	32mm				25
XQ22HD-40	40mm				25
XQ22HD-50	50mm				40

Overall Dimensions



Dimension Sheet

Model	A	B	C	D	H	M
XQ22HD-15	47	26	31	G1/2"	96	G1/8"
XQ22HD-20	54	33	31	G3/4"	102	G1/8"
XQ22HD-25	66	34	38	G1"	115	G1/8"
XQ22HD-32	77	48	46	G1-1/4"	143	G1/8"
XQ22HD-40	86	54	56	G1-1/2"	160	G1/8"
XQ22HD-50	116	67	69	G2"	182	G1/8"





Other Solenoid Valve / Solenoid Valve Accessories

Model	Product	Specification	Model	Product	Specification
4VXC-08		Valve type:5 port 2 way Orifice size:25mm <sup>2</sup> (CV=1.40) Fluid Air(to be filtered by 40μ filter element) Acting Inner guide type Pressure range:0.25~1.0MPa Proof pressure:1.2MPa Temperature:5~50°C Voltage range:-10%~+10% Power consumption:AC:5.5VA DC:4.8W Insulation&Protection:F Class & IP65 Max frequency:5 cyclec Min activating time:0.05 secretary	XR2 Valve Group		Fluid medium:Compress Air Motion pattern:Direct acting Type:Normal Close,(2/2,3/2) Orifice:1.2mm Connection port:G1/8" Working pressure:0~0.8Mpa Working temperature:-20℃ ~80℃ Voltage Range:DC6~220V, AC24~220V,50/60Hz±10% Material of Body:Aluminum alloy Seal:NBR
XCZ-110-10-A Small Valve Group		Fluid medium:Compress Air Pattern:Direct acting Type:Normal Close,Two-position Three-way Orifice:0.7mm Connection port:M5 Working pressure:0~0.8Mpa Working temperature:0~60℃ Voltage Range:DC12V~DC24V,±10% Power:≤3W Material of Body:Aluminum Seal:FPM	DL-6A DL-6B DL-6K DL Orifice Adjustable Steam Solenoid Valve		Medium:Water,Steam Pattern:Direct acting Type:Normal Close Orifice:2.5mm(DL-6A,DL-6B)0~2.5mm(DL-6K) Connection port:G1/4",G1/8" Working pressure:0~0.8Mpa Ambient temperature:0.1~180℃ Voltage:AC24,AC110V,AC220-240V, 50/60Hz,±10% Material of Body:Stainless Steel+Brass Seal:PTFE
Q22XD-2L Q23XD-2L		Port size: M10×1,G1/8" Use Pressure:0.15 to 0.8Mpa Apply Temperature:-5℃ ~50℃	F17 Petrol Solenoid Valve		Fluid medium:Petrol and solvents Motion Pattern:Direct acting Type:Normal Close,Two-position Two-way Orifice:Φ1.8mm,Φ3mm Connection port:Φ4 hose Working pressure:0~0.35Mpa Working temperature:-40℃ ~80℃ Voltage Range:DC12V DC24V Material of Body:POM Seal:VITON
3VKZF-15/10~25/20 3AKZF-15/10~25/20		Working Medium:Air Motion Pattern:Stop Type Aperture of Flow Rate:3V:16mm/25mm 3A:16mm/25mm Port Size,G1/2" / G3/8",G1" / G3/4", Working-pressure:0~1.0MPa Max. Pressure Resistance:1.5MPa Voltage Range:-10%~+10% Material of Body:Aluminum	RSC-1 RSC-2		Medium:Water, Gas Medium Temperature:0~100℃ Environment Temperature:0~40℃ Action method:Direct drive Pressure:Normally close 0~8bar Body material:PP 1/8" black 1/4" white Sealing material:EPDM Heat resistance grade:class B 130℃ Continuous Service:100% Wire Length:30cm(12")
XC601 5/2 3/2 (Armature)		Often used for 4V110 etc and small-sized specia electromagetism valves.	XC603 5/2 3/2 (Armature)		Often used for 4V210, 4V310,4V410 etc valves.
XCB601, 5/2 3/2 (Armature With Base)		Often used for 4V110 etc and small-sized specia electromagetism valves.	XCB603, 5/2 3/2 (Armature With Base)		Often used for 4V210, 4V310,4V410 etc valves.

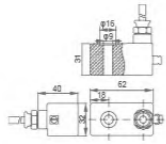
Solenoid Valve Accessories

Model	Product	Specification	Model	Product	Specification
Coil-110		Coil aperture,Height: Φ8×31 Applicable power and Voltage AC 6VA 12V-220V DC 3W 6V-110V	Coil-210		Coil aperture,Height: Φ9×29.5 Applicable power and Voltage AC 6VA 12V-220V DC 3W 6V-110V
DIN 43650C (Connectors)		Distance:9.4mm Form:2+1 GND Protection Class:IP65 (60529 Situation of IEC) Working Voltage:AC250V DC300V Nominal Current:10A Contact Resistance:≤5Ω Max.Conductor Section:3×0.75mm <sup>2</sup> Fixing Screw:M3×25	DIN 43650B (Connectors)		Distance:11mm Form:2+1 GND Protection Class:IP65 (60529 Situation of IEC) Working Voltage:AC250V DC300V Nominal Current:10A Contact Resilistance:≤5mΩ Max.Conductor Section:3×1.5mm <sup>2</sup> Fixing Screw:M3×30
DIN 43650A (Connectors)		Distance:18mm Form:2+1 GND Protection Class:IP65(60529 Situation of IEC) Working Voltage:AC250V DC300V Nominal Current:10A Contact Resistance:≤5mΩ Max.Conductor Section:3×1.5mm <sup>2</sup> Fixing Screw:M3×28	2V,2P Series Coil		Coil Aperture,height: Φ9×29.5 Applicable Power And Voltage: AC 8VA 12-220V DC 6 W 6V-110V
2W (UD) Series Coil UD-08		Coil Aperture,height: Φ14X31 Applicable Power And Voltage: AC 28VA 24-380V DC 12 W 6-380V	2W (UD) Coil UD-15		Coil apertu re,Height: Φ16×37 Applicable power and Voltage AC 18VA 24V-380V DC 16W 12V-380V
2W (UW) Series Coil		Coil Aperture,height: Φ16×17 Applicable Power And Voltage: AC 28VA 24-380V DC 24 W 24-380V	2W (2L,US) Large Aperture Coil US-H		Coil Aperture,height: Φ23X55 Applicable Power And Voltage: AC 28VA 24-380V DC 24 W 24-380V
2W(2L,US) Large Aperture Plastic Capsulation Coil		Coil Aperture,height: Φ22x55 Applicable Power And Voltage: AC 28VA 24-380V DC 24 W 24-380V	AB410A		Coil Aperture,height: Φ16X38 Applicable Power And Voltage: AC 28VA 24-380V DC 18 W 12-220V
PU Series Coil		Coil Aperture,height: Φ14.5x42 Applicable Power And Voltage: AC 15VA 24-380V DC 12.5 W 12-110V	VX Series Coil		Coil aperture,Height: Φ11×35 Applicable power and Voltage AC 13VA 12V-380V DC 8W 6V-380V

**Solenoid Valve Accessories**

Model	Product	Specification	Model	Product	Specification
PU220 Series Diaphragm		PU220-03A PU220-04A PU220-06A PU220-08A	PU225 Series Diaphragm		PU225-03A PU225-04A PU225-06A PU225-08A
2W Series Diaphragm		2W-160-15 2W-200-20 2W-250-25 2W-350-35 2W-400-40 2W-500-50	2L(US) Series Piston		2L-170-10/15/20 2L-200-25 2L-350-35/40 2L-500-50

**Explosion-proof Coil & Timer**

Model	Product	Specification	Model	Product	Specification
Product No. XC280 Product Type 0980,0981					Normal Voltage AC220V,AC110V,AV24V,DC24V,DV12 Other Voltage can be customized Normal Power AC5.5VA,DC5W Other Power can be customized Explosion-proof level Exm I / II T4 Connection Type Connector Type Applicability EX-proof Solenoid Valve
Product No. XC281 Product Type 1380,1381		 Supply voltage			Normal Voltage AC220V,AC110V,AV24V,DC24V,DV12V Other Voltage can be customized Normal Power AC5.5VA,DC5W Other Power can be customized Explosion-proof level Exm I / II T4 Connection Type Connector Type Cable Applicability EX-proof Solenoid Valve
Valve Timer-1					Supply voltage 24.,240V AC/DC-50Hz/60Hz for"CE"marked Absorption current 4 mA max Operating temperature -10°C +50°C Class protection IP65-EN60529 Switch holding voltage 400V Max Switch capacity 1A Inrush current 10A for 10ms Duty cycle 100% ED Switch Life 3×10 <sup>8</sup> Time ON From 0.5 to 10s. Time OFF From 0.5 to 45s. Indicators Yellow LED Manual override Test Termination DIN43650A

**Pneumatic Accessories**

Users usually overlook these accessories, but they are most necessary element in pneumatic system. XCPC knows the importance of these small parts, we never give up the high quality standard. The pneumatic accessories we can offer is plastic fittings, brass fittings, quick connectors, pipe fittings, quick couplers, air pipe(PU/PE/PA) and air guns etc.

