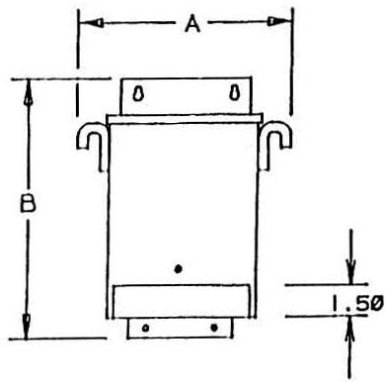
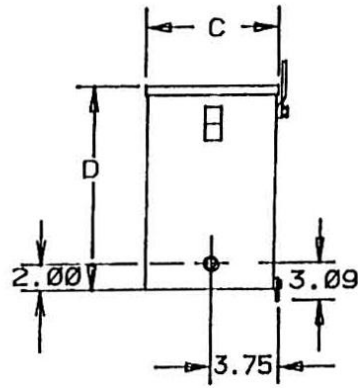


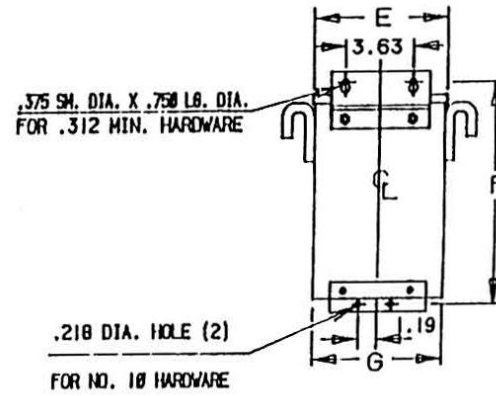
Revisions



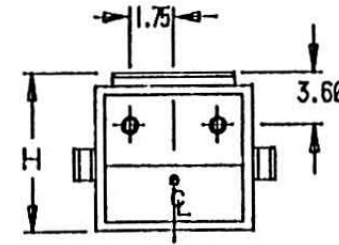
FRONT



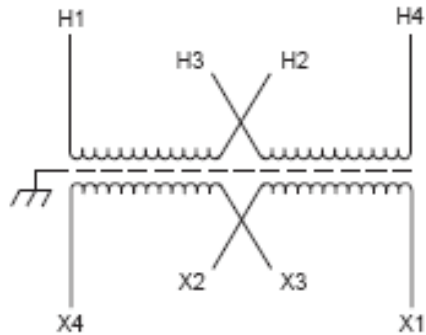
SIDE



BACK



BOTTOM



Primary Volts	Connect Primary Lines To	Inter-Connect	Connect Secondary Lines To
480	H1-H4	H2 to H3	
240	H1-H3 & H2-H4		
Secondary Volts			
240		X2 to X3	X1-X4
120/240		X2 to X3	X1-X2-X4
120		X1 to X3 X2 to X4	X1-X4

KVA	CATALOG NUMBER	VOLTAGE			WEIGHT	PHASE	FREQ.
		HIGH	LOW				
5.0	T-2-53014-S	240 x 480	120/240	UL/CSA	75 Lbs	1φ	60 Hz

TYPICAL PERFORMANCE DATA

Winding Rise	115°C
Insulation	180°C
Sound Level	40 dB

Regulation @ 100% PF	3%	IMPEDANCE	3.36%
----------------------	----	-----------	-------

Typical Efficiency	96.1%
No Load Losses	50W
Full Load Losses	201W

Windings CU: Enclosure: NEMA-3R

A	B	C	D	E	F	G	H
10.31	15.63	6.65	13.06	7.81	14.38	7.68	7.13

						A	PRINTS TO	CONTROL 7
--	--	--	--	--	--	----------	-----------	------------------



Type No.