

## Class T 600V open fuse blocks



### Flammability

- UL 94 V0

### Features

- Provide 1-, 2- and 3-pole open blocks for 600 Vac Class T fuses
- High 200 kA RMS Sym. Short-Circuit Current Ratings
- Class T fuse blocks have a small foot print, providing substantial space savings in equipment

### Typical applications

- 600 V or less control systems
- 600 V or less individual control circuits

### Recommended fuses:

- JJS (see data sheet no.1029)

### Catalog symbol:

- T60\_

### Description:

Bussmann™ series T600 fuse blocks are open fuse blocks for use with Class T fuses up to 600 amps in various pole configurations from 1- to 3-poles. T600 blocks use Bussmann series JJS fuses.

### Specifications:

#### Ratings

- Volts: 600 V
- Amps: Up to 600A
- Withstand rating: 200kA RMS Sym.

#### Agency information

- UL Listed, UL 512, Guide IZLT, File E14853
- CSA Certified, C22.2 No. 39, Class 6225-01, File 47235
- RoHS compliant
- CE

Catalog no./terminals					
Screw	Box lug	Amps	Poles	Fig.	Terminal AWG range/type
T60030-1SR	T60030-1CR	Up to 30	1	1	SR 10-18 Cu CR 2-14 Cu/Al
T60030-2SR	T60030-2CR		2		
T60030-3SR	T60030-3CR		3		
T60060-1SR	T60060-1CR	31-60	1	2	SR 10-18 Cu CR 2-14 Cu/Al
T60060-2SR	T60060-2CR		2		
T60060-3SR	T60060-3CR		3		
—	T60100-1C	61-100	1	3	2/0-14 Cu/Al
—	T60100-2C		2		
—	T60100-3C		3		
—	T60200-1C	101-200	1	4	250kcmil-6 Cu/Al
—	1B0089*		3	5	
—	T60400-1C	201-400	1	6	600kcmil-2/0 Cu/Al
—	T60600-1C	401-600	1	7	(2) 600kcmil-4/0 Cu/Al

\* UL Listed, Guide IZLT, File E14853, CSA Certified Class 6225-01, File 21455M18.

Dimensions – in

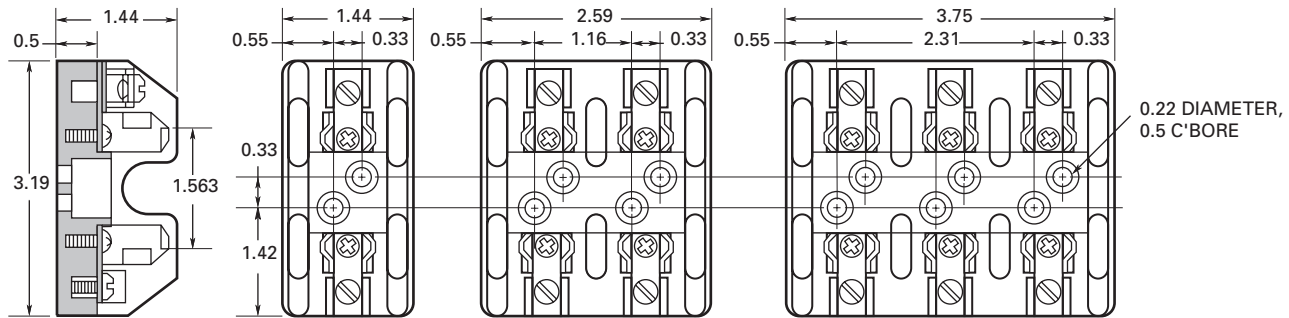


Figure 1. Up to 30 A

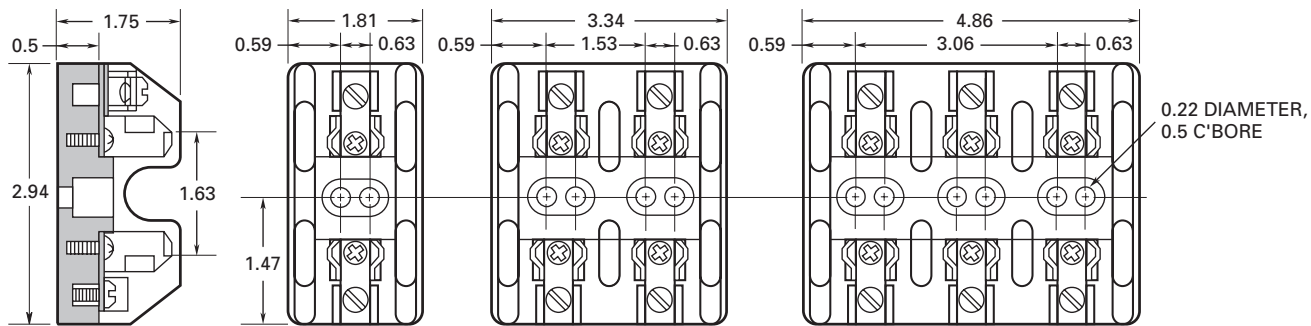


Figure 2. 31 to 60 A

Dimensions – in

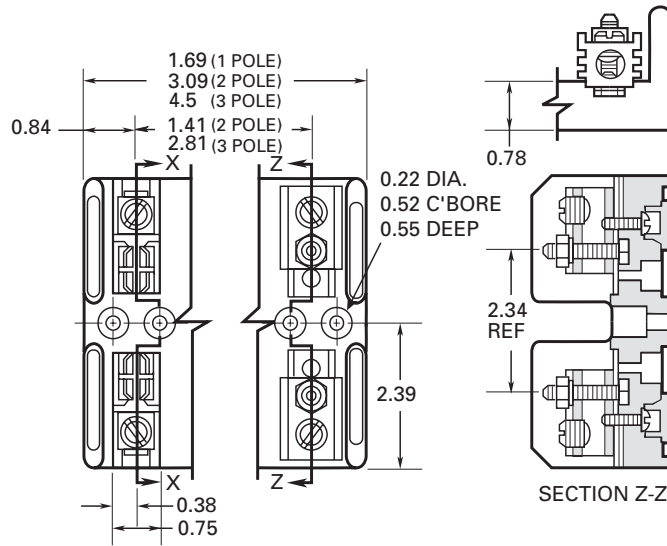


Figure 3. 61 to 100 A

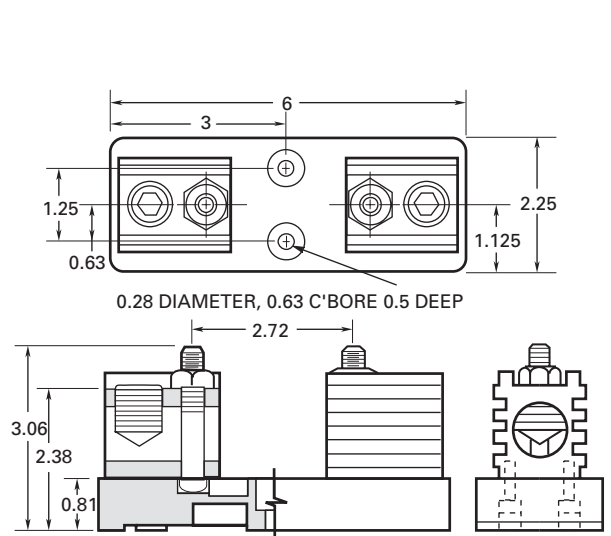


Figure 6. 201 to 400 A

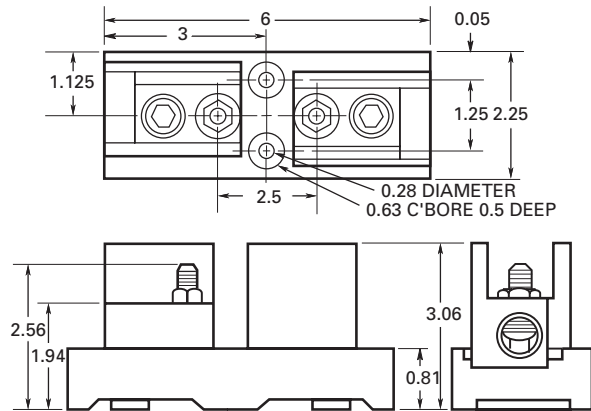


Figure 4. 101 to 200 A (T60200-1C)

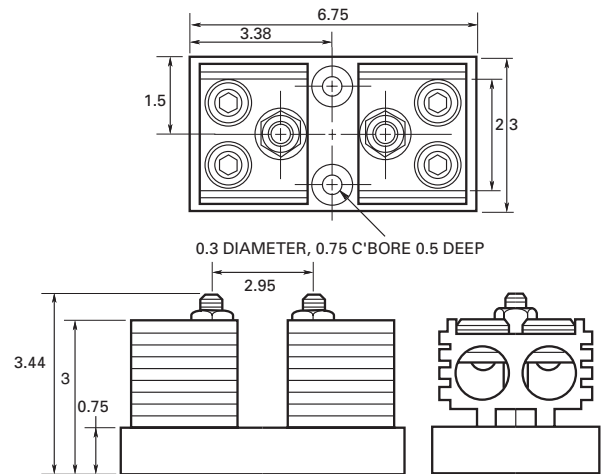


Figure 7. 401 to 600 A

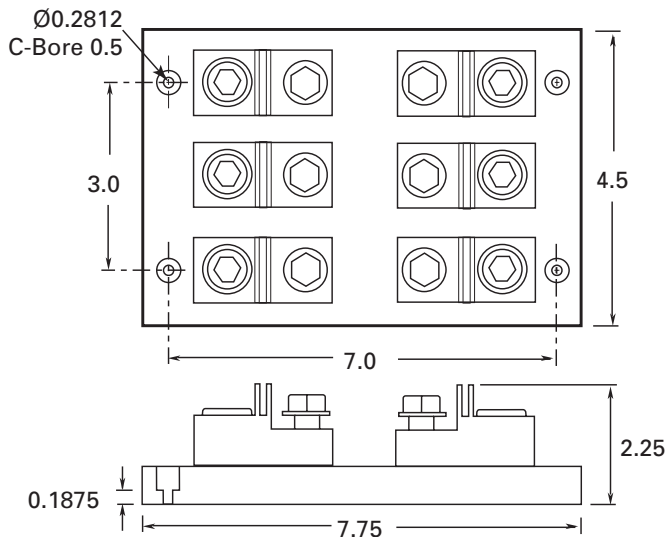


Figure 5. 101 to 200 A (1B0089)

The only controlled copy of this data sheet is the electronic read-only version located on the Eaton network drive. All other copies of this document are by definition uncontrolled. This bulletin is intended to clearly present comprehensive product data and provide technical information that will help the end user with design applications. Eaton reserves the right, without notice, to change design or construction of any products and to discontinue or limit distribution of any products. Eaton also reserves the right to change or update, without notice, any technical information contained in this bulletin. Once a product has been selected, it should be tested by the user in all possible applications.

**Eaton**  
1000 Eaton Boulevard  
Cleveland, OH 44122  
Eaton.com

Bussmann Division  
114 Old State Road  
Ellisville, MO 63021  
United States  
Eaton.com/bussmannseries

© 2017 Eaton  
All Rights Reserved  
Printed in USA  
Publication No. 1116 — J02104  
July 2017

Eaton and Bussmann are valuable trademarks of Eaton in the U.S. and other countries. You are not permitted to use the Eaton trademarks without prior written consent of Eaton.

CSA is a registered trademark of the Canadian Standards Group.  
UL is a registered trademark of the Underwriters Laboratories, Inc.

For Eaton's Bussmann series  
product information,  
call **1-855-287-7626** or visit:  
**Eaton.com/bussmannseries**

Follow us on social media to get the  
latest product and support information.



# Mouser Electronics

Authorized Distributor

Click to View Pricing, Inventory, Delivery & Lifecycle Information:

## Eaton:

[T60030-3CR](#) [T60060-1SR](#) [T60060-3CR](#) [T60060-3SR](#) [T60060-1CR](#) [T60030-2SR](#) [T60400-1C](#) [T60030-2CR](#)  
[T60200-1C](#) [T60060-2SR](#) [T60100-2C](#) [T60030-1SR](#) [T60030-3SR](#) [T60600-1C](#) [T60100-3C](#) [T60100-1C](#) [T60030-1CR](#)  
[T60060-2CR](#)