

Rack for 3 XIOC modules, expandable (for expansion to 15 modules)

Part no. XIOC-BP-3
Catalog No. 260795
EL-Nummer (Norway) 4519651

Delivery program

Accessories		Racks
Description		Expander rack for mounting XI/OC modules on top-hat rail, expandable Width: 3 slots for XI/OC modules
Information relevant for export to North America		
Product Standards IEC: see Technical Data; UL508; CSA-C22.2 No. 0-M; CSA-C22.2 No. 142-M; CE marking		
UL File No. E135462		
UL Category Control No. NRAQ		
CSA File No. 012528		
CSA Class No. 2252-01		
North America Certification UL listed, CSA certified		
Degree of Protection IEC: IP20, UL/CSA Type: -		

Design verification as per IEC/EN 61439

Technical data for design verification				
Rated operational current for specified heat dissipation	I_n	A		0
Heat dissipation per pole, current-dependent	P_{vid}	W		0
Equipment heat dissipation, current-dependent	P_{vid}	W		0
Static heat dissipation, non-current-dependent	P_{vs}	W		0
Heat dissipation capacity	P_{diss}	W		0
Operating ambient temperature min.		°C		0
Operating ambient temperature max.		°C		55
IEC/EN 61439 design verification				
10.2 Strength of materials and parts				
10.2.2 Corrosion resistance				Meets the product standard's requirements.
10.2.3.1 Verification of thermal stability of enclosures				Meets the product standard's requirements.
10.2.3.2 Verification of resistance of insulating materials to normal heat				Meets the product standard's requirements.
10.2.3.3 Verification of resistance of insulating materials to abnormal heat and fire due to internal electric effects				Meets the product standard's requirements.
10.2.4 Resistance to ultra-violet (UV) radiation				Meets the product standard's requirements.
10.2.5 Lifting				Does not apply, since the entire switchgear needs to be evaluated.
10.2.6 Mechanical impact				Does not apply, since the entire switchgear needs to be evaluated.
10.2.7 Inscriptions				Meets the product standard's requirements.
10.3 Degree of protection of ASSEMBLIES				Meets the product standard's requirements.
10.4 Clearances and creepage distances				Meets the product standard's requirements.
10.5 Protection against electric shock				Does not apply, since the entire switchgear needs to be evaluated.
10.6 Incorporation of switching devices and components				Does not apply, since the entire switchgear needs to be evaluated.
10.7 Internal electrical circuits and connections				Is the panel builder's responsibility.
10.8 Connections for external conductors				Is the panel builder's responsibility.
10.9 Insulation properties				
10.9.2 Power-frequency electric strength				Is the panel builder's responsibility.
10.9.3 Impulse withstand voltage				Is the panel builder's responsibility.
10.9.4 Testing of enclosures made of insulating material				Is the panel builder's responsibility.
10.10 Temperature rise				The panel builder is responsible for the temperature rise calculation. Eaton will provide heat dissipation data for the devices.
10.11 Short-circuit rating				Is the panel builder's responsibility.
10.12 Electromagnetic compatibility				Is the panel builder's responsibility.

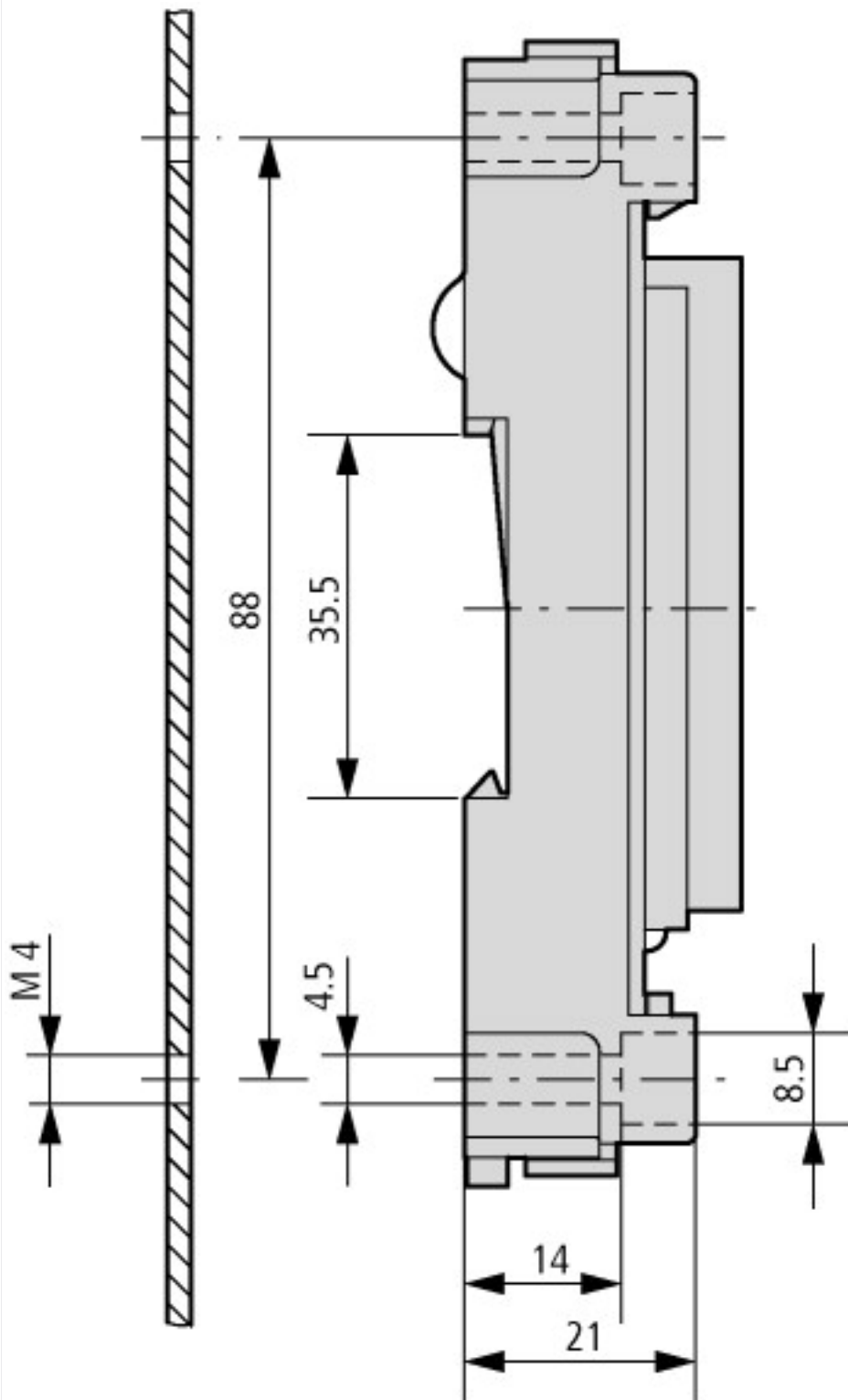
Technical data ETIM 7.0

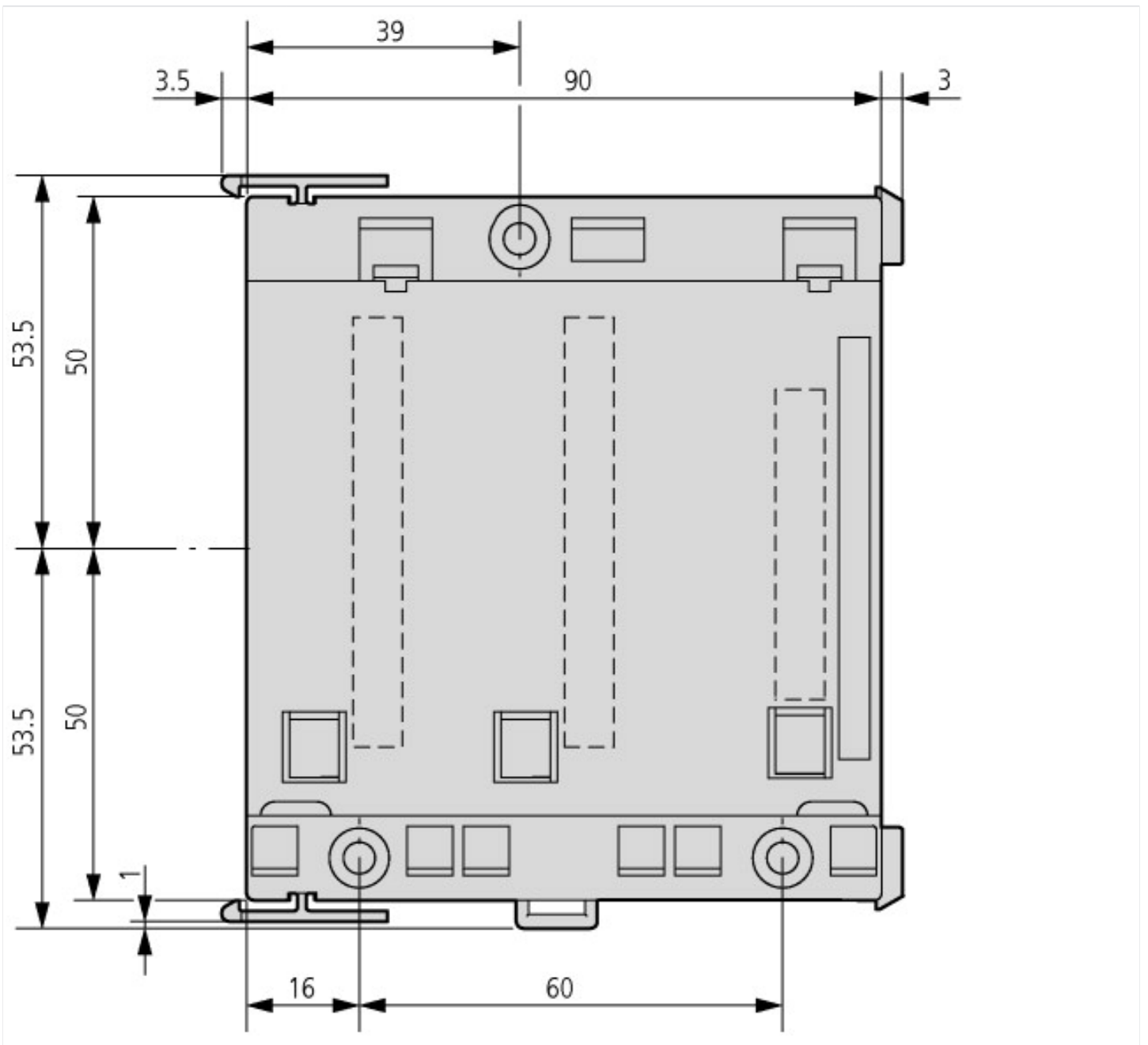
PLC's (EG000024) / PLC mounting rack (EC000810)			
Electric engineering, automation, process control engineering / Control / Programmable logic control (SPS) / SPS more assembly carriers (ecl@ss10.0.1-27-24-22-03 [AKE526014])			
With integrated power supply			No
Input voltage at AC 50 Hz	V		0 - 0
Input voltage at AC 60 Hz	V		0 - 0
Input voltage at DC	V		0 - 0
Type of voltage (input voltage)			DC
Max. input current AC 50 Hz	A		0
Max. input current AC 60 Hz	A		0
Max. input current DC	A		3.2
Output voltage at AC 50 Hz	V		0 - 0
Output voltage at AC 60 Hz	V		0 - 0
Output voltage at DC	V		0 - 0
Type of output voltage			DC
Max. output current AC 50 Hz	A		0
Max. output current AC 60 Hz	A		0
Max. output current DC	A		3.2
Redundancy			No
Number of slots			3
Rail mounting possible			Yes
Wall mounting/direct mounting			Yes
Front build in possible			No
Rack-assembly possible			No
Suitable for safety functions			No
Category according to EN 954-1			
SIL according to IEC 61508			None
Performance level acc. EN ISO 13849-1			None
Appendant operation agent (Ex ia)			No
Appendant operation agent (Ex ib)			No
Explosion safety category for gas			None
Explosion safety category for dust			None
Width	mm		93
Height	mm		107
Depth	mm		21

Approvals

Product Standards			IEC: see Technical Data; UL508; CSA-C22.2 No. 0-M; CSA-C22.2 No. 142-M; CE marking
UL File No.			E135462
UL Category Control No.			NRAQ
CSA File No.			012528
CSA Class No.			2252-01
North America Certification			UL listed, CSA certified
Specially designed for North America			No
Current Limiting Circuit-Breaker			No
Degree of Protection			IEC: IP20, UL/CSA Type: -

Dimensions





Assets (links)

[Declaration of CE Conformity](#)

00003066