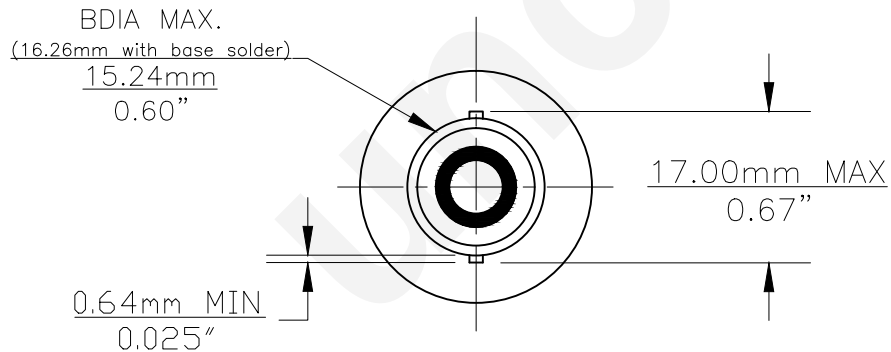
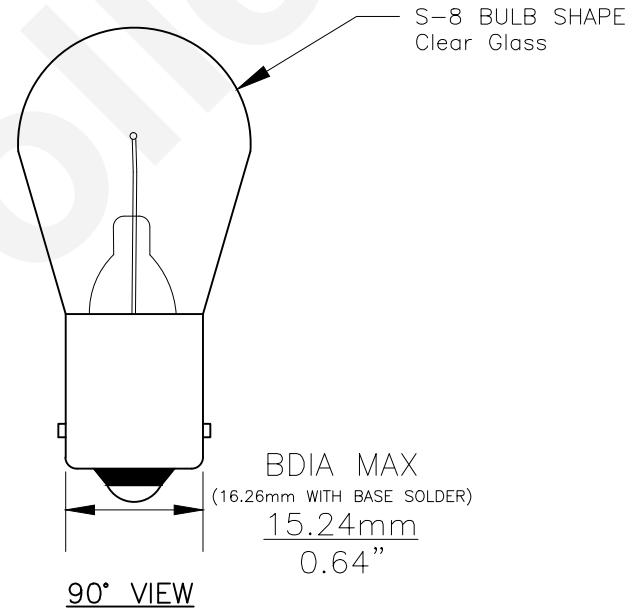
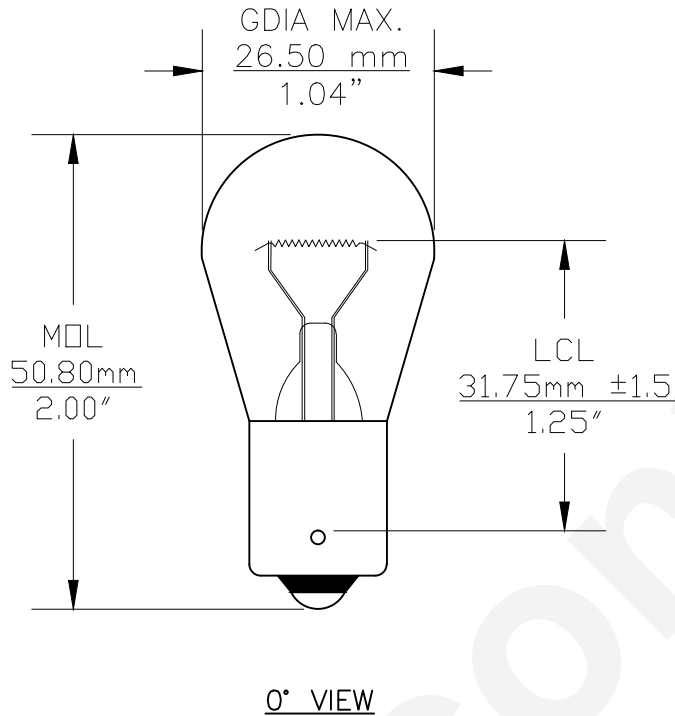




PART NO.	BASE TYPE	DESIGN VOLTS	DESIGN AMPS	MSCD	FILAMENT TYPE	AVERAGE LIFE HOURS	REVISIONS			
							REV #	DESCRIPTION	DATE	APPROVED
1156	S.C. Bayonet (BA15s)	12.8V	2.10±5%	32±10%	C-6	1200	1	REDRAWN	06/06/2005	D.C.
							2	ADDITION OF LEAD FREE	01/12/2007	D.C.



Note: Made according to SAE specifications



UNLESS OTHERWISE SPECIFIED: DIMENSIONS ARE IN INCHES TOLERANCES		CEC INDUSTRIES LTD			
DECIMALS	ANGULAR	599 BOND STREET		LINCOLNSHIRE, IL 60069	
.XX ± .05	± 0.5°	TITLE LIGHT BULB NO. 1156			
.XXX ± .010		SIZE A	FSCM NO.	DWG NO. 1156	REV 2
FRACTIONAL	±1/64	DESIGN	SCALE	PLOT SCALE	SHEET 1 OF 1
DRAWN ELIZABETH SONANES		DATE 11/29/2000	MATERIAL		
CHECKED		FILE 1156.pdf	DRAWING NOT TO SCALE		