

### 3V1 Series Solenoid Valve



3V1-06

Ordering Code

**3V** — **1** — **06** — **B** — **AC220V** — **□**

**Specification Code**  
3V: Two-position Three-way Solenoid Valve

**Port Size**  
M5:M5×0.8  
06:G1/8"

**Standard Voltage**  
DC12v  
DC24v  
AC24v 50Hz/60Hz  
AC110v 50Hz/60Hz  
AC220v 50Hz/60Hz  
AC380v 50Hz/60Hz

**Wiring Form**  
Blank:Standard Connector  
G:Lead Wire Type  
L:With Lighting Connector

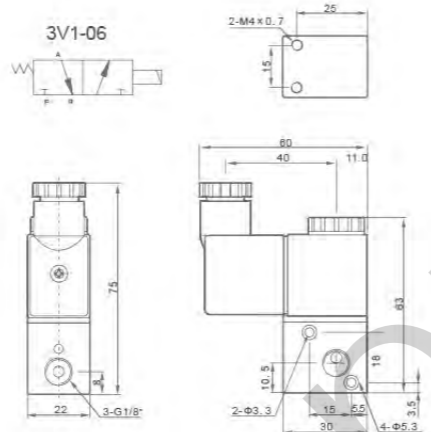
**Series Code**  
100 Series

**Connecting Type**  
Blank:Pipe Connection Type  
B:Plate Connection Type

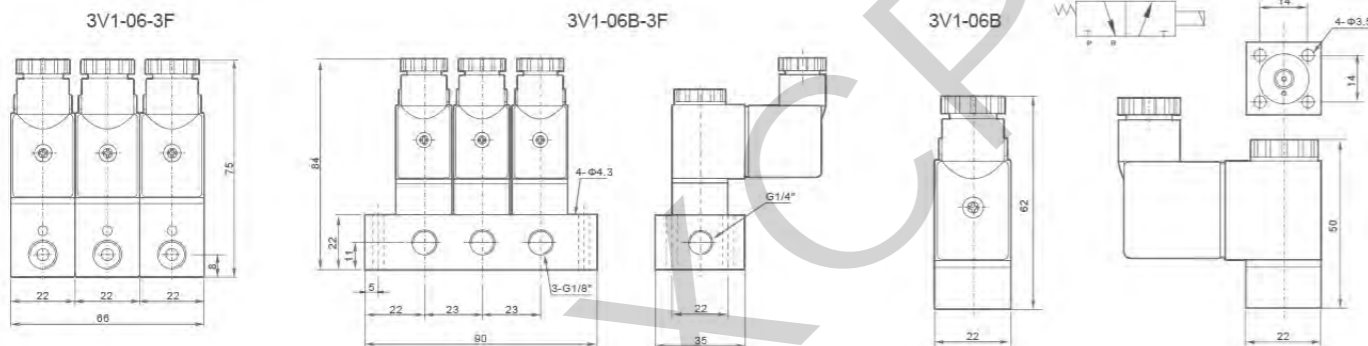
Specification

Model	3V1-M5	3V1-06
Working Medium	40 Micron Filtered Air	
Motion Pattern	Direct Drive Type	
Joint Pipe Bore	M5	1/8"
Ambient Temperature	-10~+60°C	
Gas Temperature	5~60°C	
Air Outlet Diameter	1.0mm	
Lubrication	Not Necessary	
Working-pressure	0~0.8MPa	
Max.Pressure Resistance	1.2MPa	
Power Consumption	AC:4.5VA DC:3.0W	
Protect Class	IP65	
Power Connection Form	Gorl	
Material of Body	Aluminum alloy	
Highest Action Frequency	10Cycle / Sec	
Insulation	F Class	
Voltage Range	±10%	
Shortest Excitation Time	0.05 Second	

Overall Dimensions



Overall Dimensions



### Base For 4V、4A Series Valve



Ordering Code

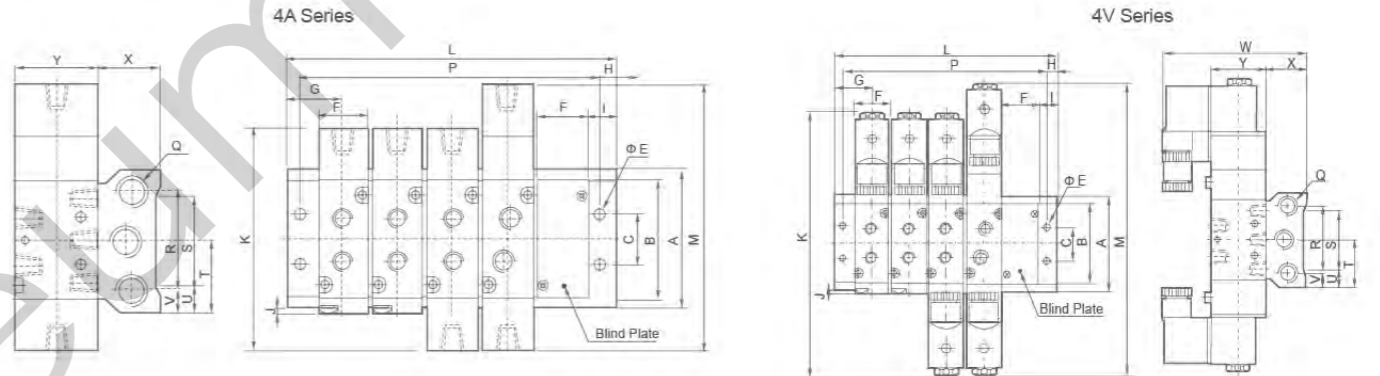
**4V** — **100M** — **□F**

**Series Code**  
4V:For 4V Series uses  
4A:For 4A Series uses

**Specification Code**  
100M:Base for 100 Series Use  
200M:Base for 200 Series Use  
300M:Base for 300 Series Use  
400M:Base for 400 Series Use

**Joint Base Number**  
100M:Wantonly Joint  
200M:Wantonly Joint  
300M:Wantonly Joint  
400M:Wantonly Joint

Overall Dimensions



Dimension Sheet(4A Series)

Model	A	B	C	E	F	G	H	I	J	K	L															
											1F	2F	3F	4F	5F	6F	7F	8F	9F	10F	11F	12F	13F	14F	15F	16F
100M-□F	58	43.2	20	4.5	18.3	19	5	10	0.8	139.4	38	57	76	95	114	133	152	171	190	209	228	247	266	285	304	323
200M-□F	61	50.7	21	4.5	22.4	23	6	12	1.2	170	46	69	92	115	138	161	184	207	230	253	276	299	322	345	368	391
300M-□F	75	64.8	26	4.5	27.3	27	6	13.5	2.5	188.8	54	82	110	138	166	194	22	250	278	306	334	362	-	-	-	-
400M-□F	104	94.5	32	5.5	34.3	31.5	7	14.5	5	221.8	63	98	133	168	203	238	273	-	-	-	-	-	-	-	-	-

Model	M	P																Q	R	S	T	U	V	W	X	Y
		1F	2F	3F	4F	5F	6F	7F	8F	9F	10F	11F	12F	13F	14F	15F	16F									
100M-□F	154.5	28	47	66	85	104	123	142	161	180	199	218	237	256	275	294	313	G1/4"	40	30	29	14	9	79	25	27
200M-□F	189	34	57	80	103	126	149	172	195	218	241	264	287	310	333	356	379	G1/4"	43	32	30.5	14.5	9	93	26	35
300M-□F	208	42	70	98	126	154	182	210	238	266	294	322	350	-	-	-	-	G3/8"	53	48	37.5	13.5	11	99.5	30	40
400M-□F	243	49	84	119	154	189	224	259	-	-	-	-	-	-	-	-	-	G1/2"	68	67	52	18.5	18	112.5	38	50

Dimension Sheet(4V Series)

Model	A	B	C	E	F	G	H	I	J	K	L															
											1F	2F	3F	4F	5F	6F	7F	8F	9F	10F	11F	12F	13F	14F	15F	16F
100M-□F	58	43.2	20	4.5	18.3	19	5	10	0.8	81	38	57	76	95	114	133	152	171	190	209	225	247	266	285	304	323
200M-□F	61	50.7	21	4.5	22.4	23	6	12	1.2	92	46	69	92	115	138	161	184	207	230	253	276	299	322	345	368	391
300M-□F	75	64.8	26	4.5	27.3	27	6	13.5	2.5	111	54	82	110	138	166	194	22	250	278	305	334	362	-	-	-	-
400M-□F	104	94.5	32	5.5	34.3	31.5	7	14.5	5	142	71	98	133	168	203	238	273	-	-	-	-	-	-	-	-	-

Model	M	P																Q	R	S	T	U	V	X	Y
		1F	2F	3F	4F	5F	6F	7F	8F	9F	10F	11F	12F	13F	14F	15F	16F								
100M-□F	96	28	47	66	85	104	123	142	161	180	199	218	237	256	275	294	313	G1/4"	40	30	29	14	9	25	27
200M-□F	111	34	57	80	103	126	149	172	195	218	241	264	287	310	333	356	379	G1/4"	43	32	30.5	14.5	9	26	35
300M-□F	130	42	70	98	126	154	182	210	238	266	294	322	350	-	-	-	-	G3/8"	53	48	37.5	13.5	11	30	40
400M-□F	163	49	84	119	154	189	224	259	-	-	-	-	-	-	-	-	-	G1/2"	68	67	52	18.5	18	38	50