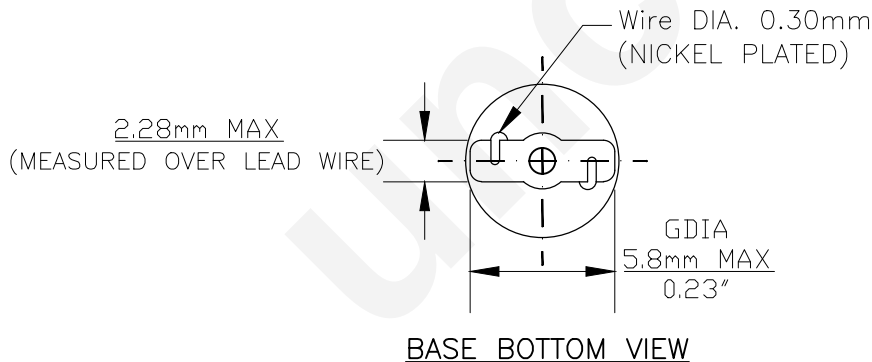
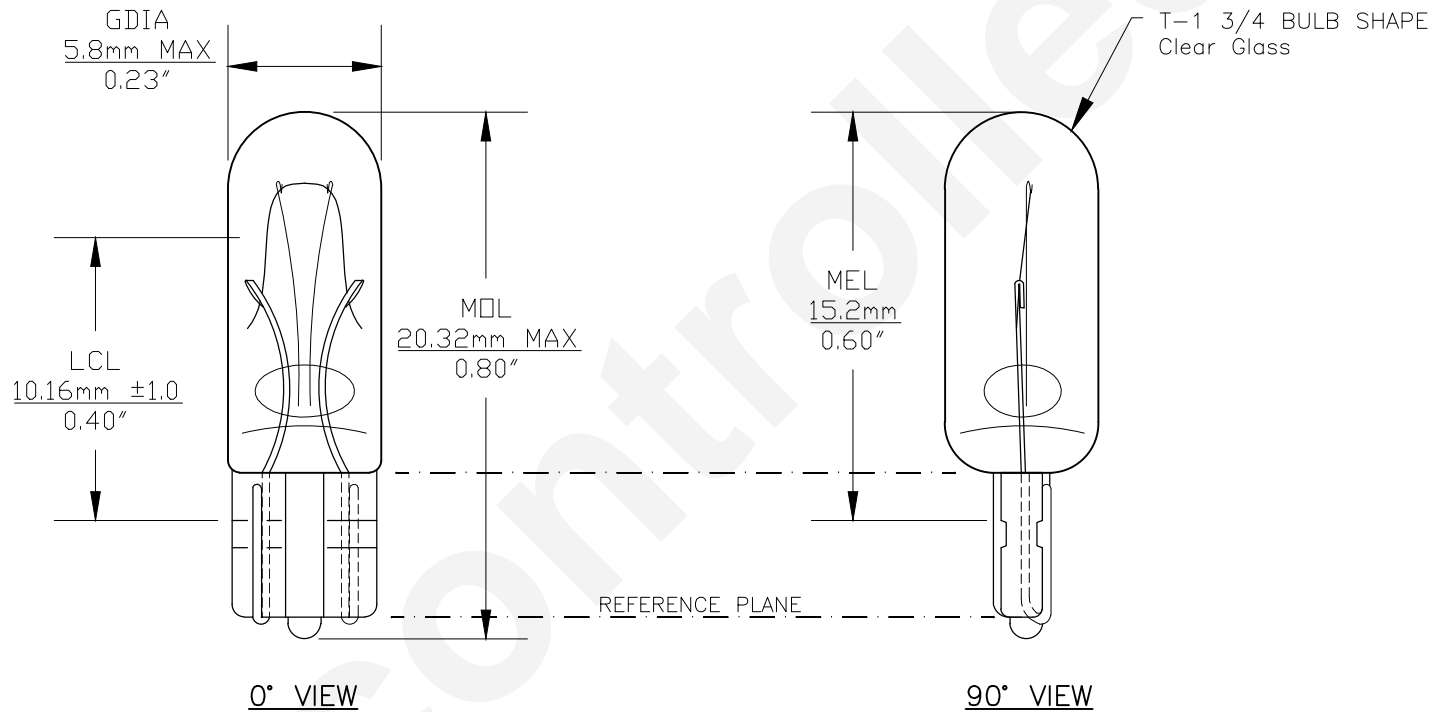




PART NO.	BASE TYPE	DESIGN VOLTS	DESIGN AMPS	MSCD	FILAMENT TYPE	AVERAGE LIFE HOURS	REVISIONS			
							REV #	DESCRIPTION	DATE	APPROVED
73	Sub-miniature Glass Wedge (T-1 3/4)	14.0V	0.08±15%	0.3±30%	C-2F	15,000	1	ISSUED	05/04/2001	S.L.
							2	REDRAWN	08/16/2005	D.C.
							3	REDRAWN, ADDED 90° VIEW	06/05/2014	R.M.



Note: Made according to SAE specifications



UNLESS OTHERWISE SPECIFIED: DIMENSIONS ARE IN INCHES TOLERANCES		CEC INDUSTRIES LTD	
DECIMALS .XX ± .05	ANGULAR ± 0.5°	599 BOND STREET	LINCOLNSHIRE, IL 60069
.XXX ± .010	FRACTIONAL ± 1/64	TITLE LIGHT BULB NO. 73	
DRAWN SIDNEY LIU	DATE 05/04/2001	SIZE A	FSCM NO. DWG NO. 73 REV 3
CHECKED	DESIGN	SCALE	PLOT SCALE SHEET 1 OF 1
MATERIAL	FILE 73.pdf	DRAWING NOT TO SCALE	