

# Analog Cycle Timer, DPDT 22mm DIN Rail

## FEATURES

- Cyclic with Unequal ON and OFF Time
- 6 Time Ranges, Seconds/Minutes/Hours
- Universal Supply Voltage
- DIN Rail / Back Panel Mount
- Finger Safe Terminals
- Size: 22.5mm (width)



## CAT. NO.

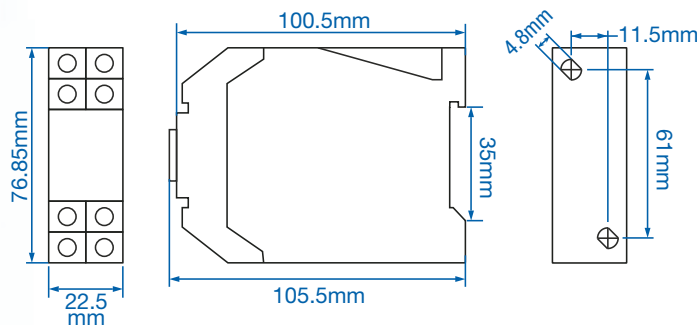
**800XC**

<b>Display</b>	
Display Type	7 Segment LED Display
Digits	N/A
LED Indication	LED 1: Power On, LED 2: Relay On
<b>Supply Specification</b>	
Input Voltage	20-240V AC (50/60Hz) and 12-240V DC
<b>Input specification</b>	
Reset	On interruption of power; Reset time <100m sec
<b>Output Specification</b>	
Main Output	DPDT -2 C/O - 5A @ 230V AC / 24 V DC, resistive
<b>Functional Specification</b>	
Modes	Cyclic ON first or OFF first
Time Ranges	0-1 sec/min/hr (On time) / 0-10 sec/min/hr (ON time) / 0-1 sec/min/hr (OFF time) / 0-10 sec/min/hr (OFF time)
Power Consumption	2VA max
<b>Accuracy</b>	
Timer	Setting +/-5% of Full Scale Repeat +/-0.5% or 50m sec.
<b>Environmental Specification</b>	
Operating Temperature	0 to 50°C (32 to 122°F)
Storage Temperature	-20 to 75°C (-4 to 167°F)
Humidity (Non-Condensing)	95% Relative Humidity
Weight	110 grams (.242 lbs)
Protection Level	-

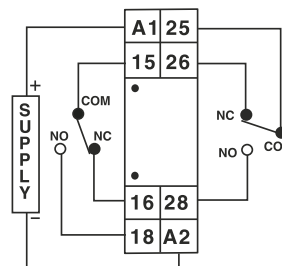
## Ordering Information

Part No.	Supply Voltage	CE	RoHS	UL US
800XC-CU	20 - 240V AC; 12 - 240V DC	●	●	●

## DIMENSIONS



## TERMINAL CONNECTIONS



See pages 42-43 for timing diagrams.