

6

5

4

3

2

1

PART NO.

BB1P100M15

PLANT DISTRIBUTION CODE:

REV #

REVISIONS

DATE APPR.

--- INITIAL RELEASE
ECN BU-SB11316

JG

3-30
2011

A

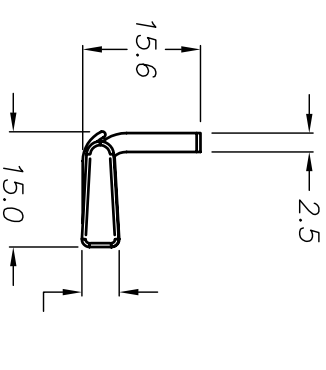
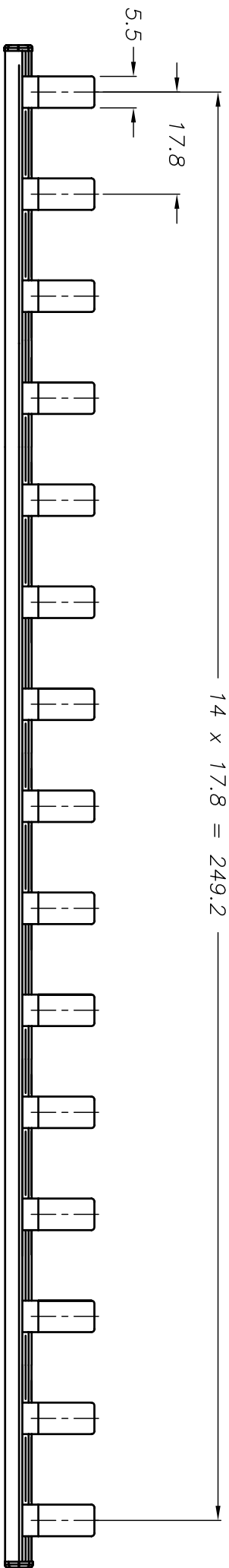
REVISED TITLE
ECN BU-SB11501

JG

5-3
2011

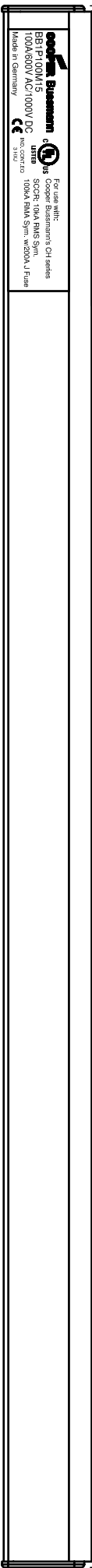
D

$14 \times 17.8 = 249.2$



$272.0^{+2.0}_{-0.0}$

5.0



CUSTOMER PRINT

TOLERANCES UNLESS OTHERWISE SPECIFIED

METRIC	ENGLISH	FRACTIONAL TOL	THIRD ANGLE PROJECTION	DESIGN UNITS
1 PL DEC.=±0.25	2 PL DEC.=±0.01	ANGULAR TOL = ±1'		METRIC (mm)
2 PL DEC.=±0.13	3 PL DEC.=±.005	ANGULAR TOL 1PL=±0.5'		CREATED USING
				AUTOCAD

COPYRIGHT — Cooper Industries, Inc.

This is an unpublished work. The disclosure of this work is limited to a select personnel. Further dissemination or disclosure to the public is PROHIBITED. This unpublished work is protected by Federal Copyright Law and all rights thereunder are reserved by Cooper Industries, Inc.

CONFIDENTIAL —

The information contained in this document is the property of Cooper Industries, Inc. It is not for public disclosure. Possession of the information does not convey any right to loan, sell or disclose the information. Unauthorized reproduction or use of the information is PROHIBITED. This document is to be returned to Cooper Industries, Inc. upon completion of the purpose for which it is loaned or upon request.

MATERIAL

FINISH

DRAWN BY
JG

DATE
3-30-11

C/F NO. SCALE
83514 1:1



St. Louis, MO 63178

COMB BUS BAR, SINGLE PHASE WITH END CAPS
(25mm ² / 15 CONNECTIONS)

PART NO. **BB1P100M15**

SHT 1 OF 1
SIZE: **B**

6

5

4

3

2

1

REV: 10/00