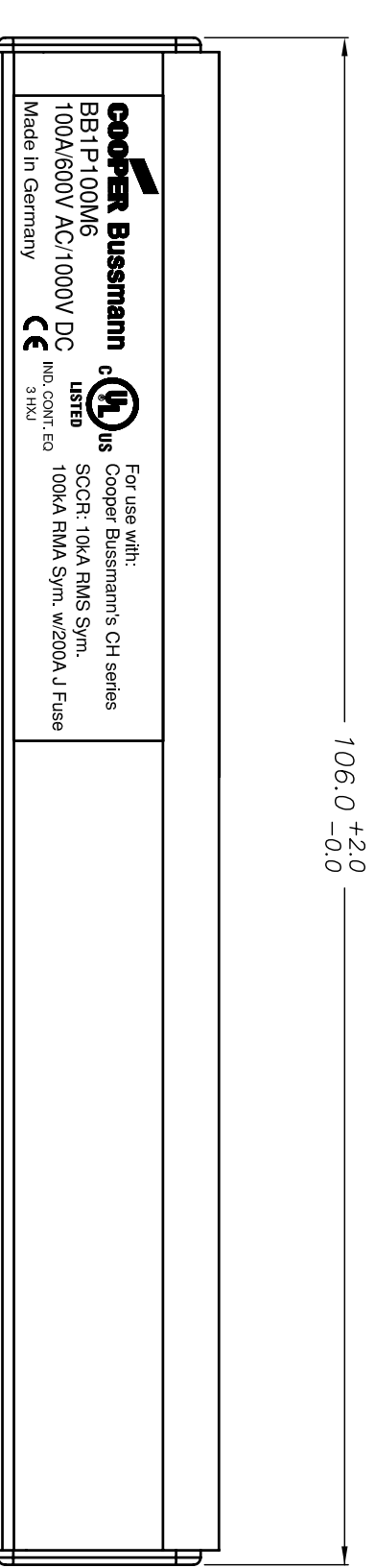
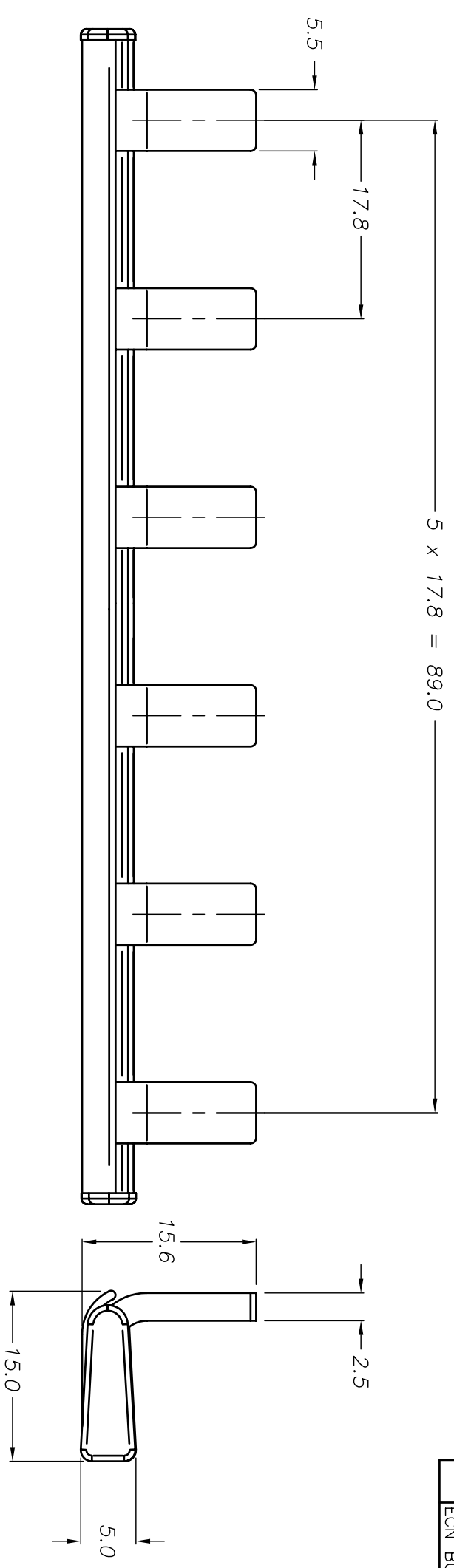


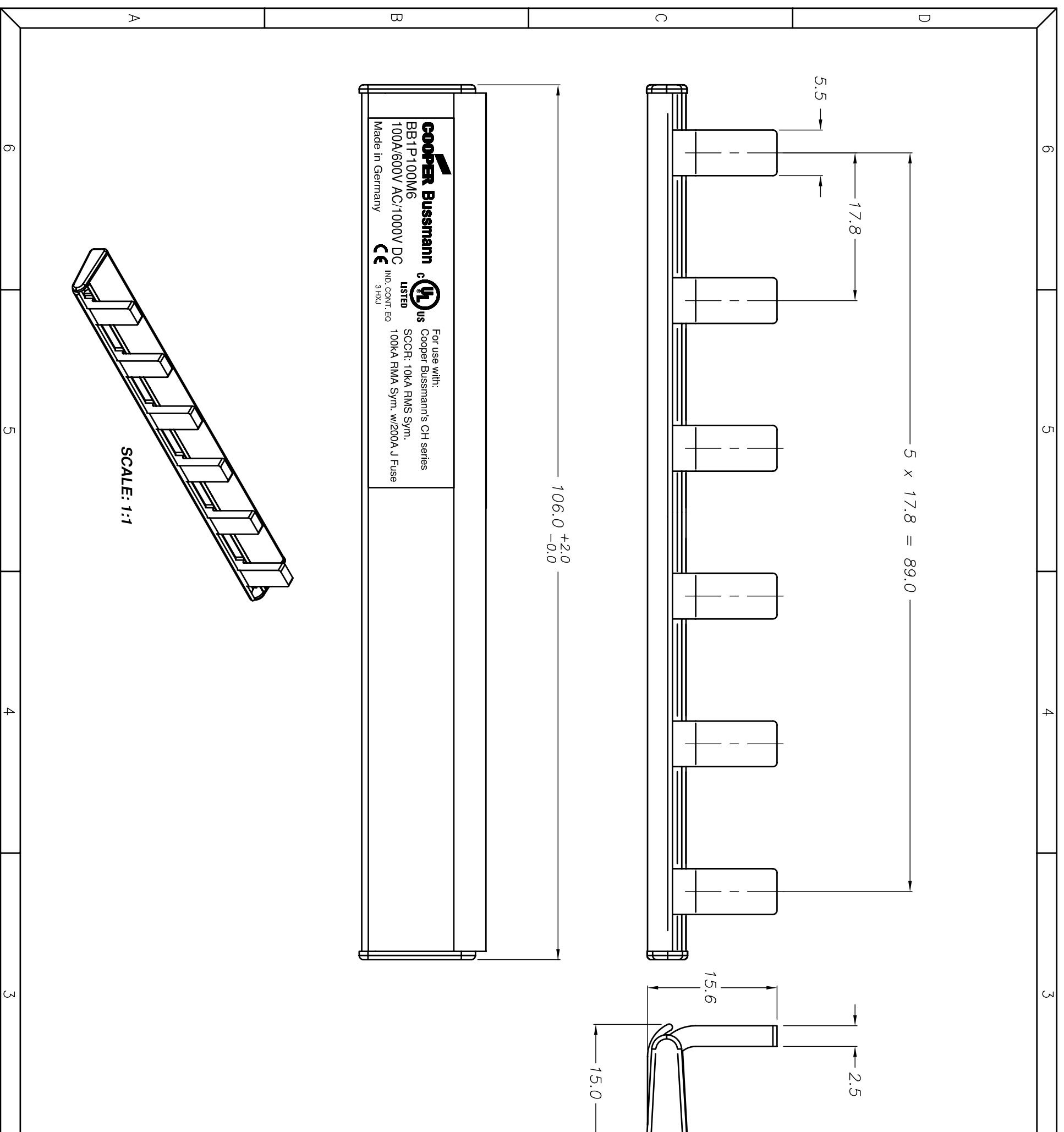
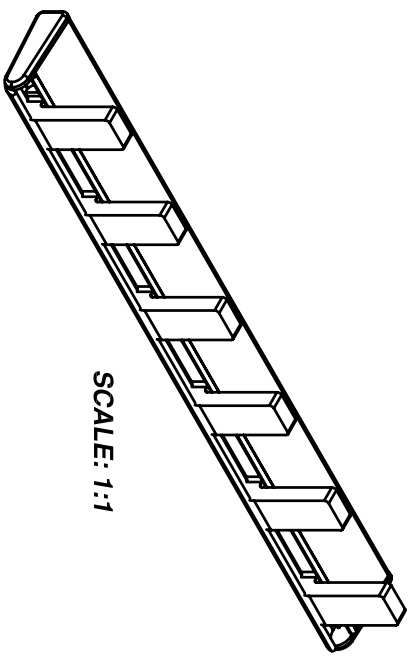
PART NO.		PLANT DISTRIBUTION CODE:	
<b>BB1P100M6</b>			
REV #	REVISIONS	DATE	APPR.
--	INITIAL RELEASE	3-30	
	ECN BU-SB11316	2011	
A	REVISED TITLE	5-3	
	ECN BU-SB11501	2011	



**COOPER Bussmann**  
**BB1P100M6**  
 100A/600V AC/1000V DC  
 Made in Germany

**UL** LISTED  
 IND. CONT. EQ  
 3HXI

For use with:  
 Cooper Bussmann's CH series  
 SCOCR: 10KA RMS Sym.  
 100KA RMA Sym. w/200A J Fuse



**CUSTOMER PRINT**

TOLERANCES UNLESS OTHERWISE SPECIFIED		THIRD ANGLE PROJECTION		DESIGN UNITS	
METRIC	ENGLISH	FRACTIONAL TOL	ANGULAR TOL	METRIC (mm)	CREATED USING
1 PL DEC.=±0.25	2 PL DEC.=±0.01	±1/64 IN	±1°		AUTOCAD
2 PL DEC.=±0.13	3 PL DEC.=±.005	ANGULAR TOL	1PL=±0.5°		

**COPYRIGHT** — Cooper Industries, Inc.  
 This is an unpublished work. The disclosure of this work is limited to a select personnel. Further dissemination or disclosure to the public is PROHIBITED. This unpublished work is protected by Federal Copyright Law and all rights thereunder are reserved by Cooper Industries, Inc.

**CONFIDENTIAL** —  
 The information contained in this document is the property of Cooper Industries, Inc. It is not for public disclosure. Possession of the information does not convey any right to loan, sell or disclose the information. Unauthorized reproduction or use of the information is PROHIBITED. This document is to be returned to Cooper Industries, Inc. upon completion of the purpose for which it is loaned or upon request.

MATERIAL		FINISH		DRAWN BY	
				JG	
DATE		C/F NO.		SCALE	
3-30-11		83511		2:1	
<b>COOPER Bussmann</b>					
St. Louis, MO 63178					
TITLE					
<b>SINGLE PHASE, COMB BUS BAR WITH END CAPS</b> (25mm <sup>2</sup> / 6 CONNECTIONS)					
PART NO.		SHT		SIZE	
<b>BB1P100M6</b>		1 OF 1		<b>B</b>	