



Power contactor
BF09

Product designation

Product type designation

Contact characteristics

Number of poles	nr.	3
Rated insulation voltage U_i IEC/EN	V	690
Rated impulse withstand voltage U_{imp}	kV	6
Operational frequency	min	Hz 25
	max	Hz 400
IEC Conventional free air thermal current I_{th}	A	25
Operational current I_e	AC-1 ($\leq 40^\circ\text{C}$)	A 25
	AC-1 ($\leq 55^\circ\text{C}$)	A 20
	AC-1 ($\leq 70^\circ\text{C}$)	A 18
	AC-3 ($\leq 440\text{V} \leq 55^\circ\text{C}$)	A 9
	AC-4 (400V)	A 4.9
Rated operational power AC-3 ($T \leq 55^\circ\text{C}$)	230V	kW 2.2
	400V	kW 4.2
	415V	kW 4.5
	440V	kW 4.8
	500V	kW 5.5
	690V	kW 7.5
Rated operational power AC-1 ($T \leq 40^\circ\text{C}$)	230V	kW 9.5
	400V	kW 16
	500V	kW 21
	690V	kW 27
IEC max current I_e in DC1 with $L/R \leq 1\text{ms}$ with 1 poles in series	$\leq 24\text{V}$	A 15
	48V	A 13
	75V	A 12
	110V	A 6
	220V	A –
IEC max current I_e in DC1 with $L/R \leq 1\text{ms}$ with 2 poles in series	$\leq 24\text{V}$	A 18
	48V	A 18
	75V	A 17
	110V	A 12
	220V	A 1
IEC max current I_e in DC1 with $L/R \leq 1\text{ms}$ with 3 poles in series	$\leq 24\text{V}$	A 20
	48V	A 20
	75V	A 20
	110V	A 15

	220V	A	10
IEC max current I _e in DC1 with L/R ≤ 1ms with 4 poles in series			
	≤24V	A	20
	48V	A	20
	75V	A	20
	110V	A	16
	220V	A	12
IEC max current I _e in DC3-DC5 with L/R ≤ 15ms with 1 poles in series			
	≤24V	A	10
	48V	A	9
	75V	A	8
	110V	A	2
	220V	A	–
IEC max current I _e in DC3-DC5 with L/R ≤ 15ms with 2 poles in series			
	≤24V	A	13
	48V	A	11
	75V	A	10
	110V	A	7
	220V	A	2
IEC max current I _e in DC3-DC5 with L/R ≤ 15ms with 3 poles in series			
	≤24V	A	15
	48V	A	15
	75V	A	13
	110V	A	11
	220V	A	6
IEC max current I _e in DC3-DC5 with L/R ≤ 15ms with 4 poles in series			
	≤24V	A	15
	48V	A	15
	75V	A	15
	110V	A	12
	220V	A	7
Short-time allowable current for 10s (IEC/EN60947-1)		A	150
Protection fuse			
	gG (IEC)	A	25
	aM (IEC)	A	10
Making capacity (RMS value)		A	90
Breaking capacity at voltage			
	440V	A	72
	500V	A	72
	690V	A	71
Resistance per pole (average value)		mΩ	2.5
Power dissipation per pole (average value)			
	I _{th}	W	1.6
	AC3	W	0.2
Tightening torque for terminals			
	min	Nm	1.5
	max	Nm	1.8
	min	lbin	1.1
	max	lbin	1.5
Tightening torque for coil terminal			
	min	Nm	0.8
	max	Nm	1
	min	lbft	0.8

	max	lbft	0.74
Max number of wires simultaneously connectable		nr.	2
Conductor section			
Flexible w/o lug conductor section			
	min	mm ²	1
	max	mm ²	6
Flexible c/w lug conductor section			
	min	mm ²	1
	max	mm ²	4
Flexible with insulated spade lug conductor section			
	min	mm ²	1
	max	mm ²	4
Power terminal protection according to IEC/EN 60529			IP20 when wired
Mechanical features			
Operating position			
	normal allowable		Vertical plan ±30°
Fixing			Screw / DIN rail 35mm
Weight		g	350
Auxiliary contact characteristics			
Type of contact			1 NO
Thermal current I _{th}		A	10
IEC/EN 60947-5-1 designation			A600 - P600
Operating current AC15			
	230V	A	3
	400V	A	1.9
	500V	A	1.4
Operating current DC12			
	110V	A	5.7
Operating current DC13			
	24V	A	5.7
	48V	A	2.9
	60V	A	2.3
	110V	A	1.25
	125V	A	1.1
	220V	A	0.55
	600V	A	0.2
Operations			
Mechanical life		cycles	20000000
Electrical life		cycles	2000000
Safety related data			
Performance level B10d according to EN/ISO 13489-1			
	rated load	cycles	2000000
	mechanical load	cycles	20000000
Mirror contacts according to IEC/EN 60947-4-1			yes
EMC compatibility			yes
Rated AC voltage at 60Hz		V	220
AC coil operating			
AC operating voltage			
	of 60Hz coil powered at 60Hz pick-up		
	min	%Us	80

drop-out	max	%Us	110
	min	%Us	20
	max	%Us	55
AC average coil consumption at 20°C			
of 50/60Hz coil powered at 50Hz			
	in-rush	VA	75
	holding	VA	9
of 50/60Hz coil powered at 60Hz			
	in-rush	VA	70
	holding	VA	6.5
of 60Hz coil powered at 60Hz			
	in-rush	VA	75
	holding	VA	9
Dissipation at holding ≤20°C 50Hz		W	2.5
Max cycles frequency			
Mechanical operation		cycles/h	3600
Operating times			
Average time for Us control			
in AC			
Closing NO			
	min	ms	8
	max	ms	24
Opening NO			
	min	ms	10
	max	ms	20
Closing NC			
	min	ms	14
	max	ms	28
Opening NC			
	min	ms	7
	max	ms	18
UL technical data			
Full-load current (FLA) for three-phase AC motor			
	at 480V	A	7.6
	at 600V	A	0.375
Yielded mechanical performance			
for single-phase AC motor			
	110/120V	HP	0.75
	230V	HP	2
for three-phase AC motor			
	200/208V	HP	3
	220/230V	HP	3
	460/480V	HP	5
	575/600V	HP	7.5
General USE			
Contactor			
	AC current	A	25
Auxiliary contacts			
	AC voltage	V	600
	AC current	A	10
	DC voltage	V	250
	DC current	A	1
Short-circuit protection fuse, 600V			

High fault

Short circuit current	kA	100
Fuse rating	A	30
Fuse class		J

Standard fault

Short circuit current	kA	5
Fuse rating	A	60

Contact rating of auxiliary contacts according to UL

A600 - P600

Ambient conditions

Temperature

Operating temperature

min	°C	-50
max	°C	70

Storage temperature

min	°C	-60
max	°C	80

Max altitude

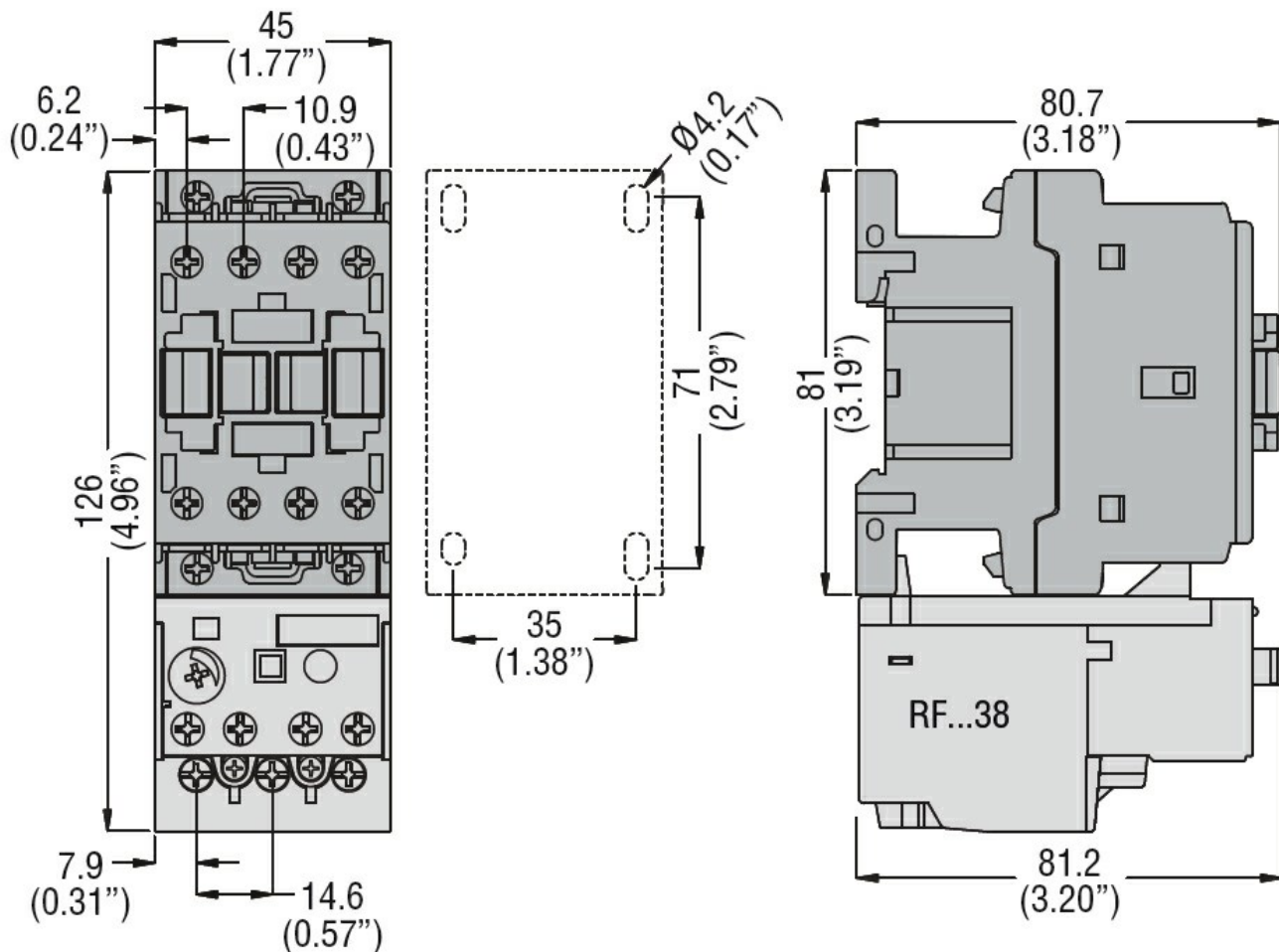
m 3000

Resistance & Protection

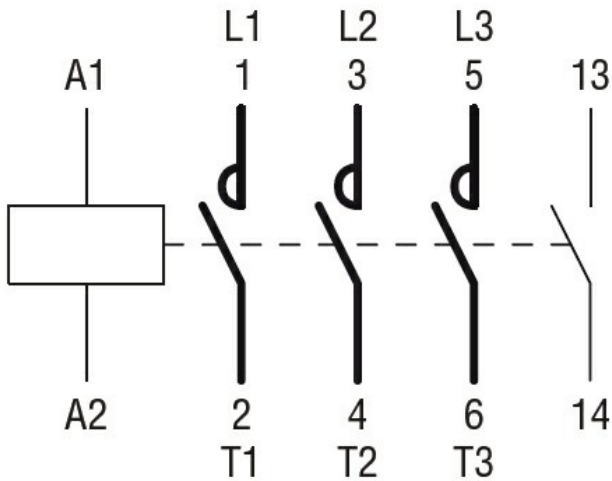
Pollution degree

3

Dimensions



Wiring diagrams



Certifications and compliance

Compliance

CSA C22.2 n° 60947-1

CSA C22.2 n° 60947-4-1

IEC/EN 60947-1

IEC/EN 60947-4-1

UL 60947-1

UL 60947-4-1

Certificates

CCC

cULus

EAC

ETIM classification

ETIM 8.0

EC000066 -
 Power contactor,
 AC switching