

XMAL 2000~5000 Series Lubricator



XMAL4000-04 XMAL2000-02

Ordering Code

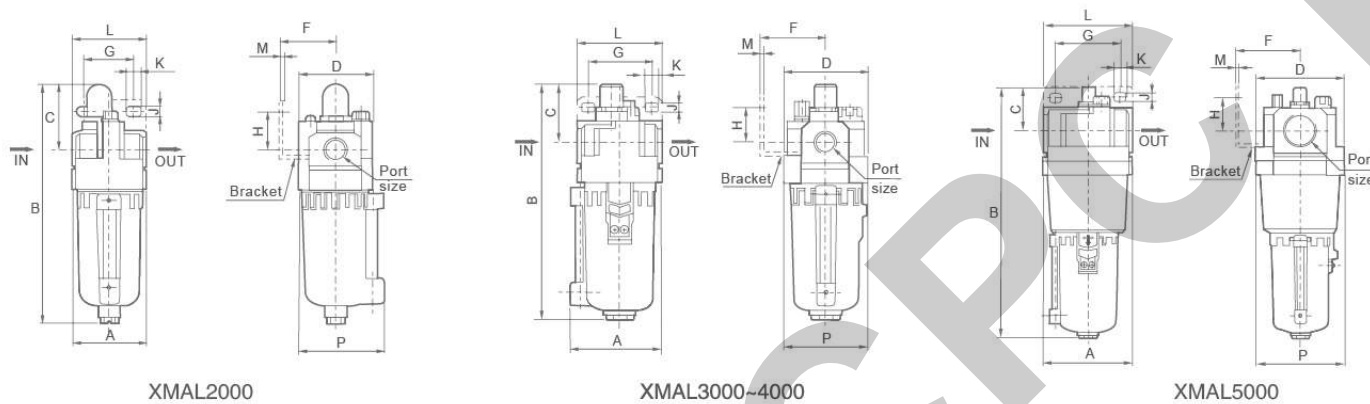
XMA	L	3000	04
Series XMA Series	Function code Lubricator	Specification Code 2000 3000 4000 5000	Port Size 01:G1/8" 02:G1/4" 03:G3/8" 04:G1/2" 06:G3/4" 10:G1"



Specification

Model	XMAL2000-01	XMAL2000-02	XMAL3000-02	XMAL3000-03	XMAL4000-03	XMAL4000-04	XMAL4000-06	XMAL5000-06	XMAL5000-10
Ensured Pressure Resistance	1.5MPa(15kgf/cm ²)								
Highest Working Pressure	1.0MPa(10kgf/cm ²)								
Operating Temperature Range	5~60℃								
Recommended Oil Use	Turbine NO.1 Oil ISOVG32								
Container Material	Aluminum Die Casting								
Minimal Flow of Oil Drop(L/min)	15	30	40	40	50	50	190	190	190
Rated Flow(L/min)	800	1700	1700	1700	5000	6300	7000	7000	7000
Port Size(G)	1/8"	1/4"	1/4"	3/8"	3/8"	1/2"	3/4"	3/4"	1"
Bowl Capacity	25	50	50	130	130	130	130	130	130

Overall Dimensions



Dimension Sheet

Model	Port Size(G)	A	B	C	D	F	G	H	J	K	L	M	P
XMAL2000	G1/8"-G1/4"	40	137	39	50	30	27	22	5.4	8.4	40	2.3	40
XMAL3000	G1/4"-G3/8"	57.5	154.5	39	53	41	40	23	6.5	8	53	2.3	55
XMAL4000	G1/2"	74	185.5	41	70	50	54	26	8.5	10.5	70	2.3	72.5
XMAL4000-06	G3/4"	76.5	185.5	39	70	50	54	25	8.5	10.5	70	2.3	72.5
XMAL5000	G3/4"-G1"	90	262.5	45	90	66.5	66	35	11	13	90	3.2	90

AC,BC Series Air Source Treatment Unit(F.R.L Combination)



BC4000 AC2000

Ordering Code

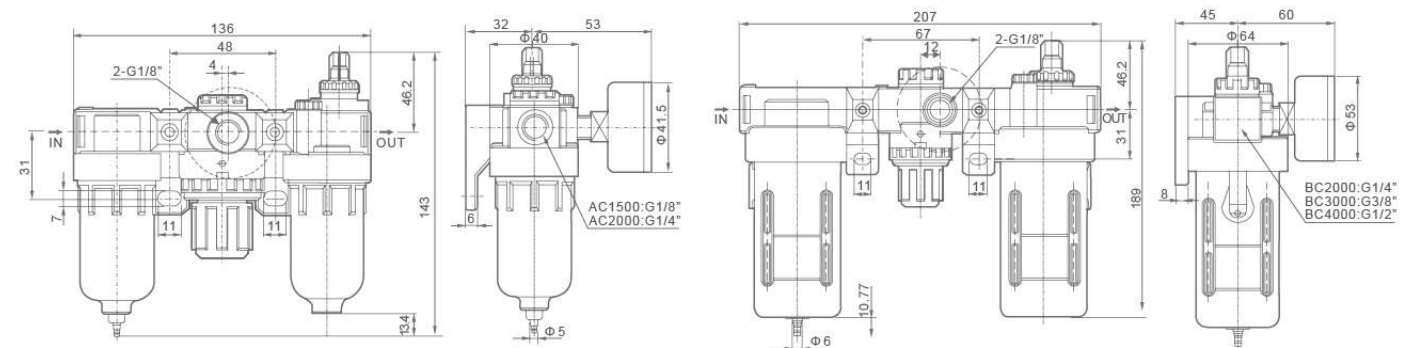
BC	3000	□
Series AC:Small Size BC:Middle Size	Port Size 1500:G1/8" 2000:G1/4" 3000:G3/8" 4000:G1/2"	Drain Type Blank:Manual Drain Type D:Auto Drain Type



Specification

Model	AC1500	AC2000	BC2000	BC3000	BC4000	
Operating Fluid	Air					
Port Size	G1/8"	G1/4"	G1/4"	G3/8"	G1/2"	
Filtering Element Reughness	40μ					
Range of Adjustable Pressure	0.05~0.85MPa					
Max Adjustable Pressure	0.95MPa					
Ensu red Pressure Resistance	1.5MPa					
Operating Temperature Range	5~60℃					
Capacity of Filter Cup	15 cc		60 cc			
Capacity of Oil Feed Cup	25 cc		90 cc			
Suggested Lube	ISO VG 32 or Same Grade Oil					
Material	Body Aluminum Die-casting Forming					
	Container Cup PE					
	Protective Cup Cover Iron					
Composing Elements	Fitier	AF1500	AF2000	BF2000	BF3000	BF4000
	Regulator	AR1500	AR2000	BR2000	BR3000	BR4000
	Lubricator	AL1500	AL2000	BL2000	BL3000	BL4000

Overall Dimensions



AC Series

BC Series