

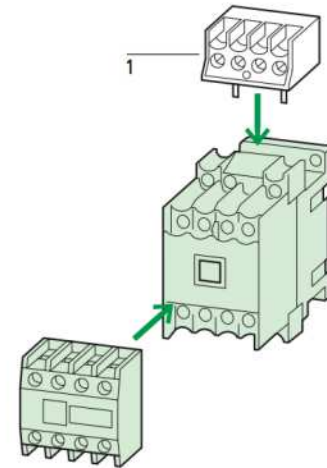
DIL R Industrial Control Relays
Basic Relay, Modules

UL / CSA / IEC / CE

Industrial Control Relays,
Electronic Timing Relays

DC operated Type	Price	
Article No.	see price list	
Coil voltages shown in (...) For other coil voltages, see page 02/030		
DILR40-G (24VDC) 048537		The DILR40(-G) is supplied without a front plate, HDIL00M, to facilitate mounting of auxiliary contact modules.
DILR31-G (24VDC) 048532		DILR31(-G) and DILR22(-G) are supplied with a front plate that can be easily removed to add auxiliary contact modules.
DILR22-G (24VDC) 048526		
02DIL 098145		
11DIL 010345		
20DIL 012718		
04DIL 015091		
13DIL 017464		
22DIL 019837		
31DIL 010752		
40DIL 022210		
TPE11DIL 002279		
TPD11DIL 002280		
V-GDIL(24VDC) 048562		Maximum impulse duration for DC energization: 200ms

Notes



Accessories	Page
1 Interface module	02/024
Other accessories	02/024

Contact Code Number:

The contact code number provides useful information of the relay. It refers to the total number of N.O. contacts (1st digit) and N.C. contacts (2nd digit) found on the device. Adding both digits will result in the total number of contacts.

Example:
DILR40 + 04DIL =
4 N.O. + 4 N.C. contacts, for a total of eight contacts.

Some contact combinations are preferred when used in configurations conforming to European Norms (EN Standards). These are denoted by the letter "E" in the contact code number and are in accordance with DIN EN 50 011. All other combinations without the letter "E" are in accordance with DIN EN 50 005. In the example above, the combination of **DILR40 + 04DIL** yields a relay with Type E configuration (44E).