

NH Fuse Holders for Knife Fuses

SB-D, SB-S, SB-DMS 690V / 160 - 1600A

Sizes 00, 0, 1, 2, 3, 4



Specifications

Description: Knife fuses, NH, thermoplastic bodies for knife fuses. Securing to DIN rail and by screws (size 4 screw fixation only). Range of protection accessories for live parts in order to obtain IP20 protection standard. Available with micro-switch contact for use with fuses with striker (see page 30).

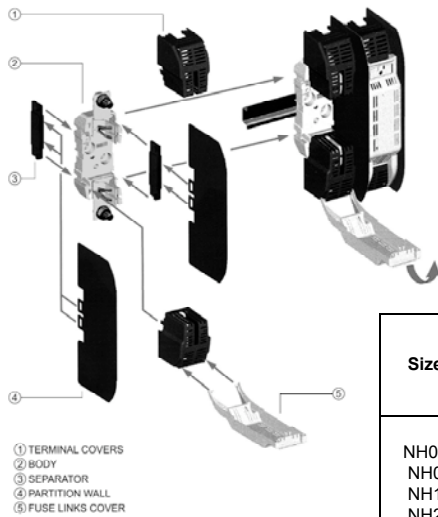
Ratings:

- Volts: - up to 690V ac
- Amps: - 2 - 1600A

Applications: Protection of industrial circuits and electrical apparatus

Standards and Approvals: IEC 60269, VDE 0636, DIN 43620

Dimensions



Catalogue Numbers

Size	Poles	Current (A)	Part References		With micro-switch contact	UP*
			Screw connection	DIN Rail connection		
00	1 3	160A	SB00-S TB00-S	SB00-D TB00-D TB00-D-IP20		3 1 1
0	1 3	160A	SB0-S TB0-S	SB0-D TB0-D	SB0-DMS	3 1
1	1 3	250A	SB1-S TB1-S	SB1-D TB1-D	SB1-DMS	3 1
2	1 3	400A	SB2-S TB2-S	SB2-D TB2-D	SB2-DMS	3 1
3	1 3	630A	SB3-S TB3-S	SB3-D TB3-D	SB3-DMS	3 1
4	1	1600A	SB4-S		SB4-DMS	3

Neutral

Size	Current (A)	Part Ref	Unit Packing
NH00	160	SL00	3
NH0	160	SL0	
NH1	250	SL1	
NH2	400	SL2	
NH3	630	SL3	
NH4	1000	SL4	

Fuse extraction handle

Size	Part Ref	Unit Packing
C00-3	FEH	1

Protection accessories

Size	Current (A)	Separation Partition ④		Fuse Cover ⑤		Terminal Cover ①		Separator ③	
		Part Ref	Unit Packing	Part Ref	Unit Packing	Part Ref	Unit Packing	Part Ref	Unit Packing
NH00	160A	SP00	2	FC00	3	CS00	6	BC00	2
NH0	160A	SP0	2	FC0	3	CS0	6	BC0	2
NH1	250A	SP1-2	2	FC1	3	CS1	6	BC1-2	2
NH2	400A	SP1-2	2	FC2	3	CS2	6	BC1-2	2
NH3	630A	SP3	2	FC3	3	CS3	6	BC3	2
NH4	1250A	SP4	2						

IP Protection Kits

TB00-D-IP20	Complete triple pole fuse base IP20 rated
FPK0-3P	IP20 kit for TB0-D fuse base
FPK1-3P	IP20 kit for TB1-D fuse base
FPK2-3P	IP20 kit for TB2-D fuse base
FPK3-3P	IP20 kit for TB3-D fuse base