

XVHS Series Venting Safety Lock-out Valve



XVHS2000-02



XVHS3000-03



Graphic Symbol



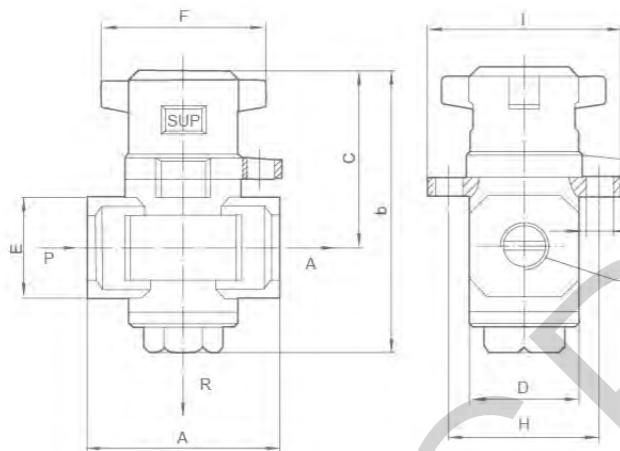
Ordering Code

| | | | |
|---------------------|--|------------------|------------------|
| X | VHS | 3000 | 03 |
| XCPC Product | Venting Softing Lock-out Valve Code | Body Size | Port Size |
| | | 2000 | 01:G1/8" |
| | | 3000 | 02:G1/4" |
| | | 4000 | 03:G3/8" |
| | | 5000 | 04:G1/2" |
| | | | 06:G3/4" |
| | | | 10:G1" |

Features

It is easy to be maintained because it can realise the pressure of the hypo-pressure side when it is working. It can ensure the safety of the maintenance man because of the lockup function.

Overall Dimensions



Dimension Sheet

| Model | G | Vent size | A | B | C | D | E | F | H | I | J |
|-------------|------|-----------|----|-----|----|----|----|----|------|----|------|
| XVHS2000-01 | G1/8 | G1/8 | 40 | 59 | 39 | 28 | 22 | 40 | 32 | 41 | φ6 |
| XVHS2000-02 | G1/4 | G1/8 | 40 | 59 | 39 | 28 | 22 | 40 | 32 | 41 | φ6 |
| XVHS3000-02 | G1/4 | G1/4 | 53 | 78 | 49 | 30 | 28 | 45 | 41.5 | 53 | φ7.5 |
| XVHS3000-03 | G3/8 | G1/4 | 53 | 78 | 49 | 30 | 28 | 45 | 41.5 | 53 | φ7.5 |
| XVHS4000-03 | G3/8 | G3/8 | 70 | 84 | 52 | 36 | 36 | 45 | 41.5 | 53 | φ7.5 |
| XVHS4000-04 | G1/2 | G3/8 | 70 | 84 | 52 | 36 | 36 | 45 | 41.5 | 53 | φ7.5 |
| XVHS5000-06 | G3/4 | G1/2 | 90 | 136 | 72 | 54 | 48 | 68 | 77 | 90 | φ8.5 |
| XVHS5000-10 | G1 | G1/2 | 90 | 136 | 72 | 54 | 48 | 68 | 77 | 90 | φ8.5 |

XAV 2000~5000 Series Slow Start Valve



XAV3000-03

Ordering Code

| | | | | | | |
|---------------------|------------------------------|------------------|--------------------|---------------------|-------------------------|------------------|
| X | AV | 2000 | 02 | G | AC220V | G |
| XCPC Product | Slow Start Valve Code | Body Size | Thread Type | Optional | Standard Voltage | Plug Mode |
| | | 2000 | Blank:G | Blank:Without Gauge | AC110V | G:Grommet type |
| | | 3000 | R:RC | G:With Gauge | AC220V | D:DIN Type |
| | | 4000 | N:NPT | | DC12V | |
| | | 5000 | | | DC24V | |
| | Type of Control | | Port Size | | Other | |
| | Blank: Solenoid | | 02:G1/4" | | | |
| | A: Pneumatic | | 03:G3/8" | | | |
| | | | 04:G1/2" | | | |
| | | | 06:G3/4" | | | |
| | | | 10:G1" | | | |

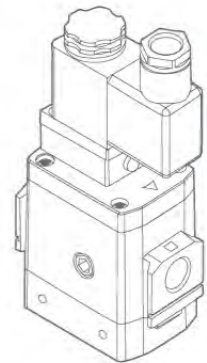
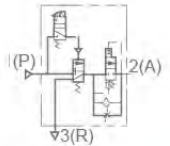
Features

This is a differential balanced valve automatically opens the air port fully when the downstream pressure is about 50% of the upstream pressure. Without a pilot, the upstream air flows downstream through the regulation needle. When an external or pneumatic solenoid signal is generated, the valve opens the main port to create full flow. It doesn't relieve the downstream circuit.

Specification

| Model | XAV2000-02 | XAV3000-03 | XAV4000-04 | XAV5000-06 | XAV5000-10 |
|---|---------------------------|------------|------------|------------|------------|
| Port Size | G1/4" | G3/8" | G1/2" | G3/4" | G1" |
| Effective sectional area (mm ²) | 1(P)-2(A) 2(A)-3(R) | 20 37 | 61 76 | 113 132 | 122 141 |
| Applicable Pressure Range | 0.3~1.0MPa | | | | |
| Ambient and Fluid Temperature | 0~60°C | | | | |
| Coil voltage rating | DC24V, 12V, AC220V, 110V | | | | |
| Allow voltage fluctuation | Rated voltage-15%~+10% | | | | |
| Coil insulation class | B level or the same level | | | | |
| DC/Consumed power DC | 3W | | | | |
| AC/Apparent power AC | Start:5.6VA Keep: 3.4VA | | | | |
| Port size of cap for pneumatic version | G1/8 | | | | |
| Lowest pressure for pneumatic version | 0.2MPa | | | | |

Graphic Symbol



XAMC Series Exhaust Cleaner



Specification

| Model | XAMC220-02 | HAMC320-02 | HAMC320-03 | HAMC520-04 | HAMC520-06 |
|--|------------|------------|------------|------------|------------|
| Port Size | G1/4 | G1/4 | G3/8 | G1/2 | G3/4 |
| Effective sectional area(mm ²) | 12 | 16 | 16 | 55 | 55 |
| Maximum flow processing(L/min) | 200 | 300 | 300 | 1000 | 1000 |

| Model | XAMC220-02 | HAMC320-02 | HAMC320-03 | HAMC520-04 | HAMC520-06 |
|--------------------------------|----------------------|------------|------------|------------|------------|
| Ambient and Fluid Temperature | 5~60°C | | | | |
| Muffling Effect | More than 35 decibel | | | | |
| Oil mist recovery effect | More Than 99.9% | | | | |
| Recycling of oil mist walk way | Female thread hole | | | | |
| Element one time test pressure | < 0.1MPa | | | | |

Instructions

1. Must be installed in a vertical position.
2. The filter element should be changed, when the inlet pressure is 0.1 MPa or used more than 1 year.
3. No exposure to organic solvents.

Features

1. XAMC exhaust cleaning machine is the new generation of energy conservation and environmental protection products.
2. Used to absorb exhaust noise, recover the waste oil and water, to keep clean.
3. Mainly used to collect the noise and oil mist from the whole system.