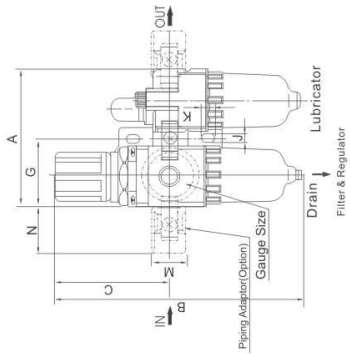
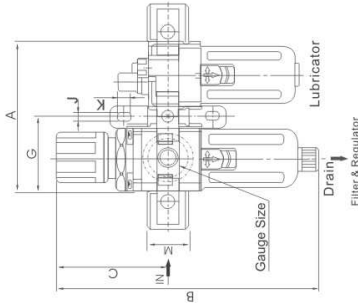


**XAC1010~5010 Series Air Source Treatment Unit(F.R.L. Combination)**

Overall Dimensions



XAC1010-2010



XAC3010-5010

Dimension Sheet

Model	Port Size(G)	A	B	C	D	E	F	G	H	J	K	L	M	N	P
XAC1010	M5	58	109.5	50.5	25	26	25	29	20	4.5	7.5	5	17.5	16	38.5
XAC2010	G1/8"-G1/4"	90	164.5	78	40	56.8	30	45	24	5.5	8.5	5	22	23	50
XAC3010	G1/4"-G3/8"	117	211	92.5	53	60.8	41	58.5	35	7	11	7	34.2	26	70.5
XAC4010	G3/8"-1/2"	154	262	112	70	70.5	50	77	40	9	13	7	42.2	33	88
XAC4010-06	G3/4"	164	267	114	70	70.5	50	82	40	9	13	7	46.2	36	88
XAC5010	G3/4"-G1"	195	338	116	90	75.5	69.8	97.5	50	12	16	10.5	55.5	40	115

**XAF1000~5000 Series Air Filter**

Ordering Code



XAF5000-10 XAF4000-04 XAF2000-02

- XA** Series XA series
- F** Function Filter
- 4000** Body Size 1000, 2000, 3000, 4000, 5000
- 04** Port Size M5/M5×0.8, 01/G1/8", 02/G1/4", 03/G3/8", 04/G1/2", 06/G3/4", 10/G1"
- Drain Type** Blank/Manual Drain Type (Available for 2000 or above)
- Metal Cup** U: With Iron Cup, L: With Aluminum Cup (Available for 2000)

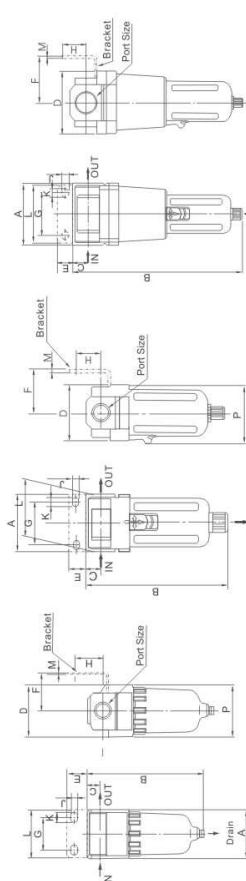
Graphic Symbol



Specification

Model	XAF1000	XAF2000	XAF3000	XAF4000	XAF5000
Rated Flow(L/min)	110	750	1500	4000	6000
Port Size	M5	G1/8"	G1/4"	G3/8"	G1/2"
Filter Precision	25 μ				
Highest Working Pressure	1.0MPa				
Ensured pressure Resistance	1.5MPa				
Operating Temperature Range	5-60°C				
Container Material	Polycarbonate				
Protective Cover	Not Available				
Drain Function	Differential Drain				
	Differential Drain-Automatic Drain				

Overall Dimensions



XAF1000-2000

XAF3000-4000

XAF5000

Dimension Sheet

Model	Port Size(G)	A	B	C	D	E	F	G	H	J	K	L	M	P
XAF1000	M5	25	66	7	25	-	-	-	-	-	-	-	-	26.5
XAF2000	G1/8"-G1/4"	40	97.5	11	40	17	30	27	22	5.4	8.4	40	2.3	40
XAF3000	G1/4"-G3/8"	53	132.5	14	53	16	41	40	23	6.5	8	53	2.3	56
XAF4000	G3/8"-1/2"	70	188.5	18	70	17	50	54	26	8.5	10.5	70	2.3	73
XAF4000-06	G3/4"	75	172.5	20	70	14	50	54	25	8.5	10.5	70	2.3	73
XAF5000	G3/4"-G1"	90	247.5	24	90	23	66.5	66	35	11	13	90	3.2	90